

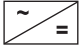



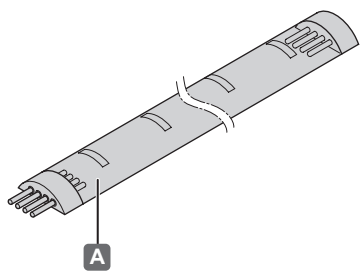


LED 2012

833.73.320  
833.73.322

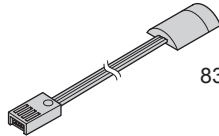
12 V System	K	W	T <sub>A</sub>	 mm	 mm	
833.73.320	RGB	2.0 W	-20 °C – +35 °C	300 x 10 x 2.5	≥ 310 x 20 x 3.5	833.74.900
833.73.322		12 W	-4 °F – +95 °F	2000 x 10 x 2.5	≥ 2010 x 20 x 3.5	833.74.901

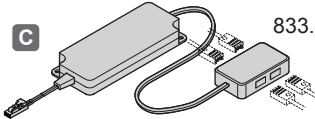



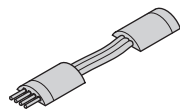



**A**

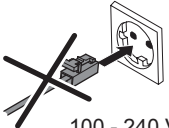


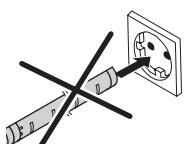
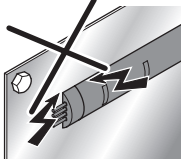
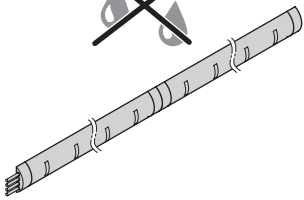
**+**

**B**  833.74.711

**C**  833.74.700 

**D**  833.74.710  
833.74.762 (500 mm)

**1** 

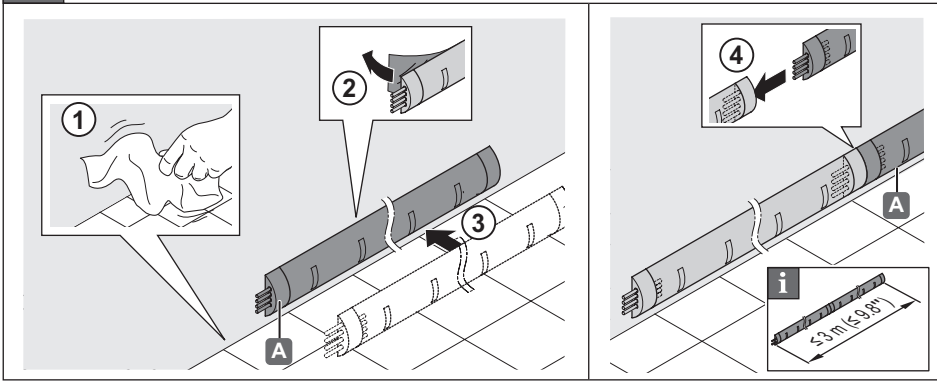
 100 - 240 V~		
 100 - 240 V~		

Maße in mm – Dimensions in mm – Medidas en mm

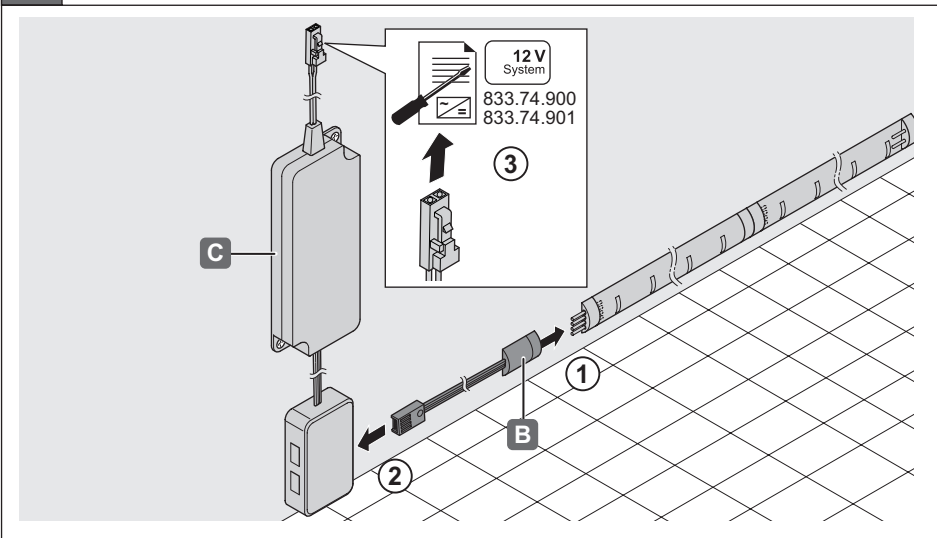
HDE 26.01.2012

732.28.213

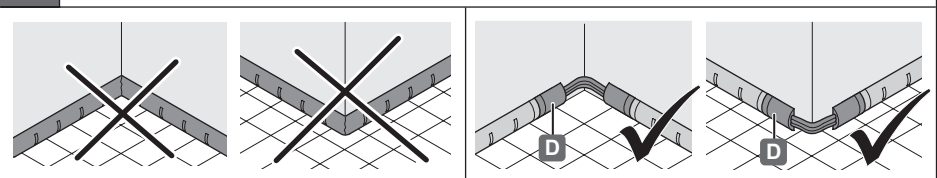
2



3



+



Maße in mm – Dimensions in mm – Medidas en mm

HDE 26.01.2012

732.28.213