

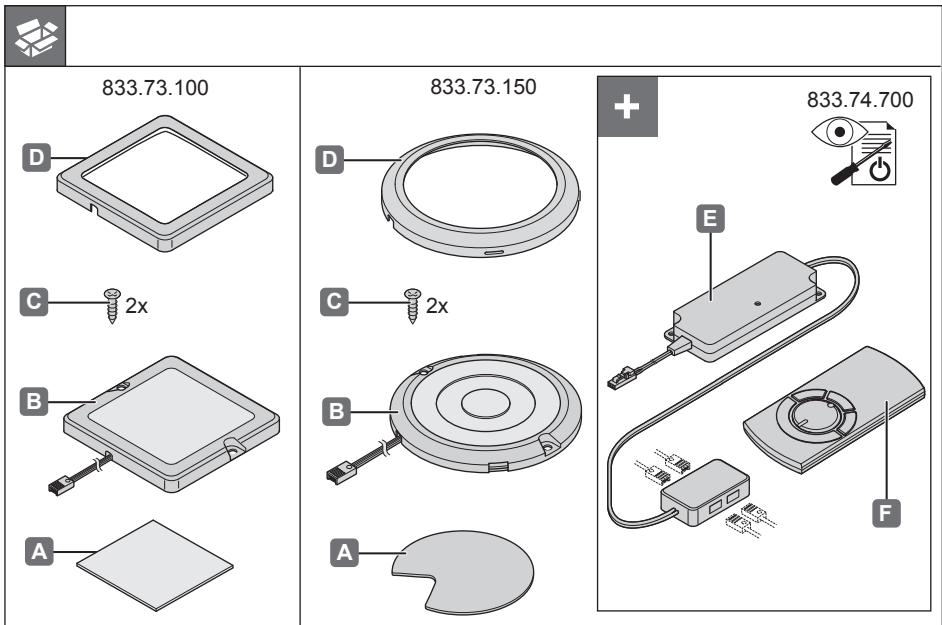


LED 2009  
LED 2010

833.73.100  
833.73.150

12 V System	K	W	T <sub>A</sub>	mm	mm	
833.73.100	RGB	1.7 W	-20 °C – +35 °C -4 °F – +95 °F	52 x 52 x 6	≥ 62 x 62 x 16	833.74.900
833.73.150	RGB	1.2 W		∅ 58 x 6	≥ ∅ 68 x 16	833.74.901

Maße in mm – Dimensions in mm – Medidas en mm



HDE 14/12/2010

732.28.209

