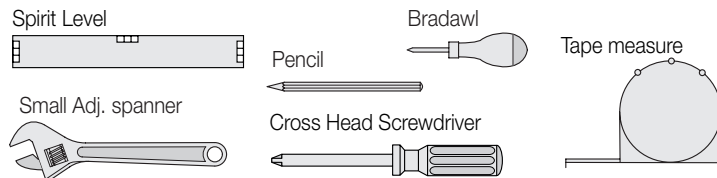
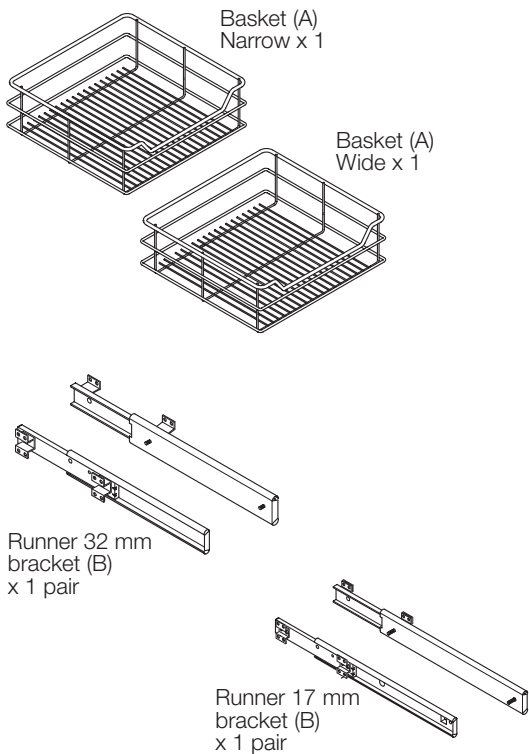


## Assembly guide

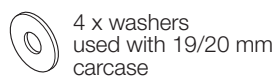
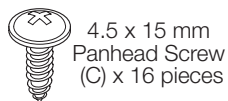
## Cupboard Pull out Basket:

### Component parts

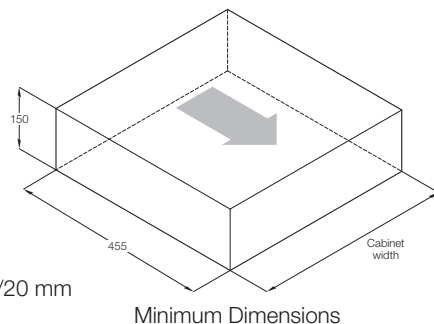
For installing a single basket.



Did you know Häfele also supply tools to the trade and industry?  
See [www.hafele.co.uk](http://www.hafele.co.uk) for more information.

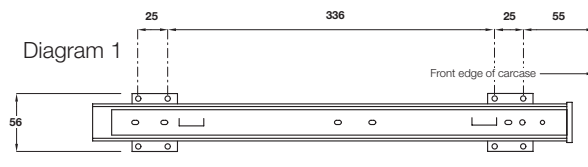


- Make sure all the components are included before you start.
- The number for technical support is at the bottom of the page.
- Don't rush!
- Read the instructions first.
- Assemble in the stages shown.
- Keep the fittings together to avoid loss.
- Have fun.



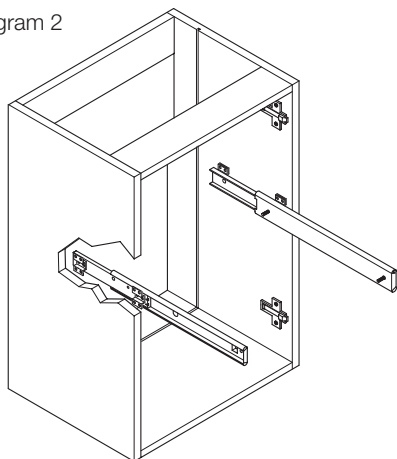
- 1** Using the runner drilling pattern shown in diagram 1, fix the runner (B) using 16 x 4.5 x 15 mm panhead screws (C) to the internal side of the carcass with the bottom runner fixing point a minimum of 55 mm up from the floor level of the cabinet. Then add the required no. of spacers for the carcass thickness being used to the threads on each runner.

Board thickness	Total no. of spacers to be used on each side of the cabinet
15 mm	2
16 mm	2
18 mm	1
19 mm	1/0



- 2** To fit the basket extend the runners to their full extension. Then using the middle ring, fix the basket (A) to each side of runner (B), as shown in diagram 3 using the basket clamps (E) and the dome nuts (F).  
**Please note:**  
A washer should be used under each dome nut only when fixing to a 19/20 mm carcass.

Diagram 2



Spacer fittings for basket and runner combinations

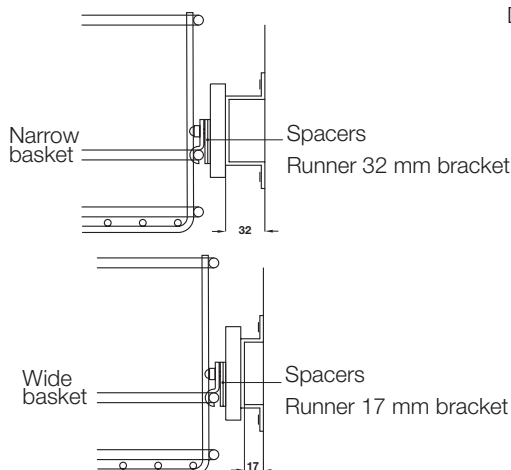


Diagram 3

