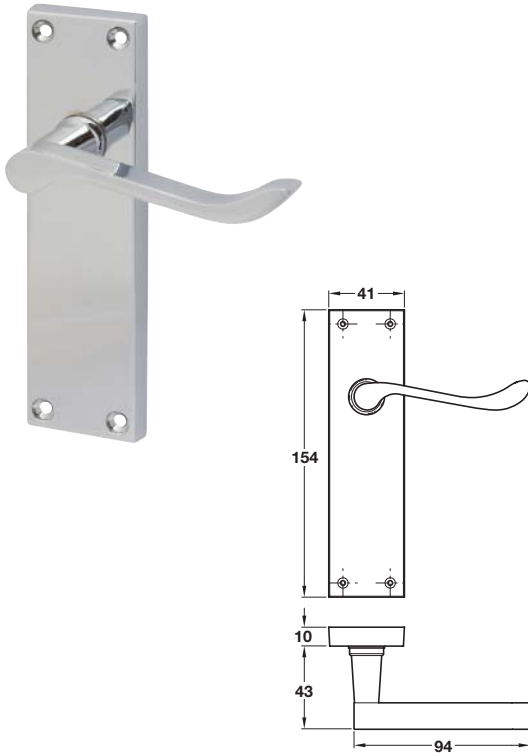


ZINC ALLOY

Polished chrome lever handles on backplates for latches in two Victorian styles.

Scroll Victorian lever handles on plate, zinc alloy



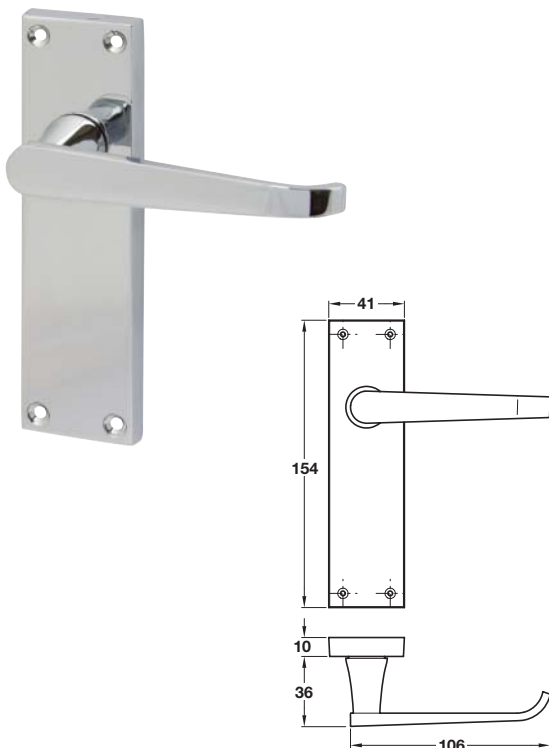
Note: ±3 mm tolerance on dimensions

- > Pair of lever handles on face fixing backplates
- > Sprung, for use with standard duty followers
- > To suit doors up to 44 mm thick
- > 8 mm spindle included
- > Zinc alloy
- > Order qty: 1 pair



Version	Polished chrome
Backplate for latch	901.98.279

Plain Victorian lever handles on plate, zinc alloy



Note: ±3 mm tolerance on dimensions

- > Pair of lever handles on face fixing back plates
- > Sprung, for use with standard duty followers
- > To suit doors up to 44 mm thick
- > 8 mm spindle included
- > Zinc alloy
- > Order qty: 1 pair



Version	Polished chrome
Backplate for latch	901.98.280