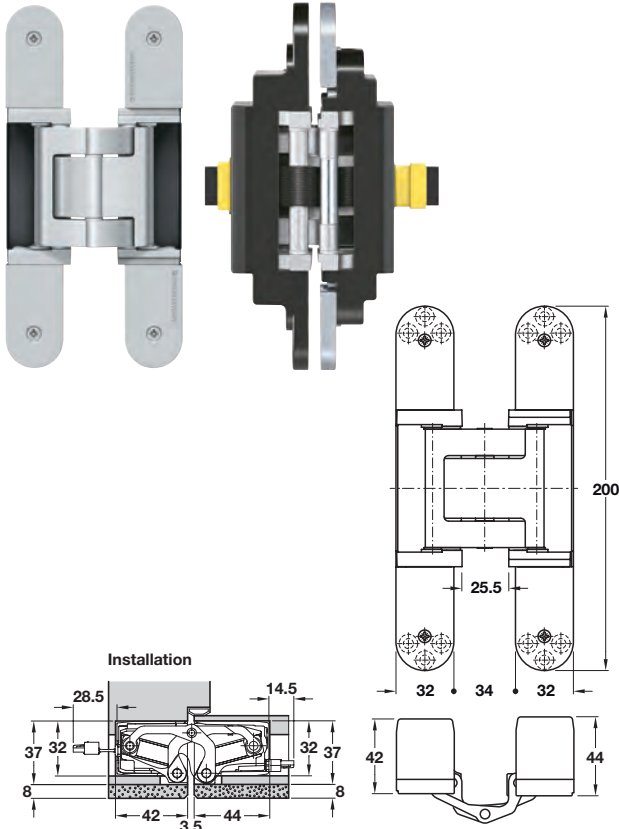


TECTUS TE 540 3D A8 Energy hinge



- > With permanent energy transfer
- > Maximum adjusted door weight 100 kg
- > 3-way continuous adjustment:
 - Vertical: ± 3 mm
 - Horizontal: ± 3 mm
 - Depth: ± 1.0 mm
- > For wooden, steel or aluminium frames, for flush doors
- > For min. door thickness 40 mm
- > Maintenance free friction bearings
- > Suitable for left or right hand applications
- > Aluminium, zinc diecast and steel
- > Order qty: 1 pc

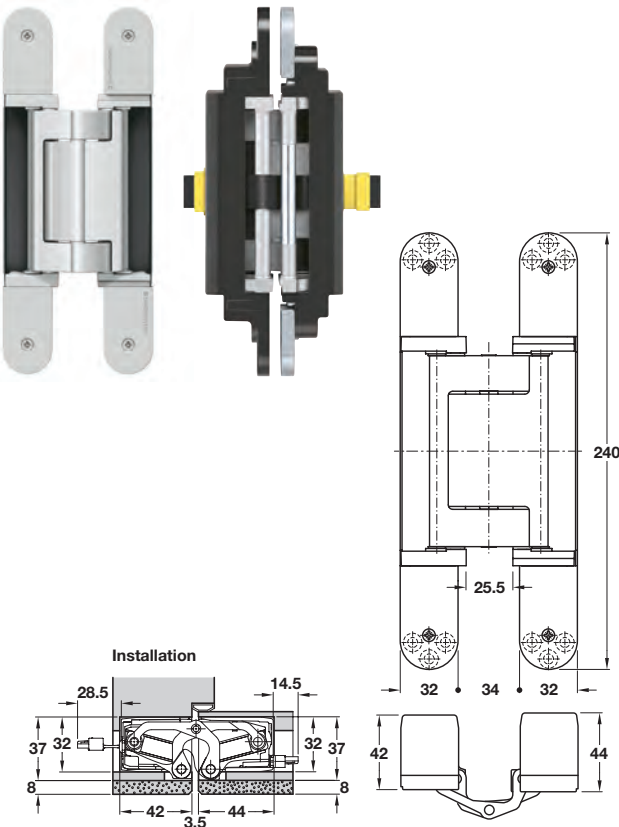


FD 30 fire rated when installed with intumescent kit Cat. No. 924.19.132, shown on page 84



Finish	Cat. No.
Matt chrome	924.17.744
Matt nickel	924.17.746
Satin stainless steel	924.17.279

TECTUS TE 640 3D A8 Energy hinge



- > With permanent energy transfer
- > Maximum adjusted door weight 160 kg
- > 3-way continuous adjustment:
 - Vertical: ± 3 mm
 - Horizontal: ± 3 mm
 - Depth: ± 1.0 mm
- > For wooden, steel or aluminium frames, for flush doors
- > For min. door thickness 40 mm
- > Maintenance free friction bearings
- > Suitable for left or right hand applications
- > Aluminium, zinc diecast and steel
- > Order qty: 1 pc



Finish	Cat. No.
Matt chrome	924.17.754
Matt nickel	924.17.756
Satin stainless steel	924.17.750



Most of the products you will find in this catalogue are available within 24 hours. However, to be able to offer the breadth of range in our collection, a small number of products have a longer lead time that is typically around 14 days. Please call 0800 171 2909 for an accurate delivery date when you see this symbol.