

FSB ASL® GRADE 304 STAINLESS STEEL

1

A wide range of lever handle designs in quality Grade 304 stainless steel.



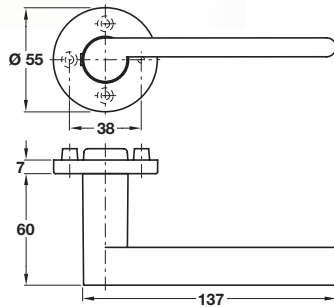
FSB ASL® sets new standards with innovative adaptor technology and additional value-adding features. The new adaptor technology makes for extremely simple and rapid assembly because the base rose is screwed to the door leaf first, without either its cover or the handle

- > All in one single set packaging
- > Non-handed
- > Concealed guide ring
- > Spring mechanism
- > Bearing fixed but free to rotate
- > Stainless steel reinforced base
- > M5 stainless steel screw fixing
- > 45° angle of rotation
- > Rapid assembly
- > 20 mm door thickness increments
- > BS EN 1906 class 4 certified
- > Grade 304 stainless steel

FSB ASL® 1021 lever handles, grade 304 stainless steel



- > Pair of lever handles and roses
- > Grub screw fixing on 8 mm Stabil spindle
- > Sprung, for use with standard duty followers
- > To suit doors 39-58 mm thick
- > With spring mechanism
- > Grade 304 stainless steel
- > Order qty: 1 pair

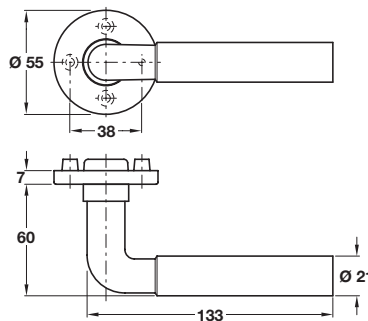


Finish	Cat. No.
Satin stainless steel	903.78.925

FSB ASL® 1171 lever handles, grade 304 stainless steel



- > Pair of lever handles and roses
- > Grub screw fixing on 8 mm Stabil spindle
- > Sprung, for use with standard duty followers
- > To suit doors 39-58 mm thick
- > With spring mechanism
- > Grade 304 stainless steel
- > Order qty: 1 pair



Finish	Cat. No.
Satin stainless steel	903.78.926



Co-ordinating escutcheons and WC/emergency release also available see page 27



Most of the products you will find in this catalogue are available within 24 hours. However, to be able to offer the breadth of range in our collection, a small number of products have a longer lead time that is typically around 14 days. Please call 0800 171 2909 for an accurate delivery date when you see this symbol.