

# GRASS TIOMOS H HIDDEN HINGES FOR ALUMINIUM DOOR

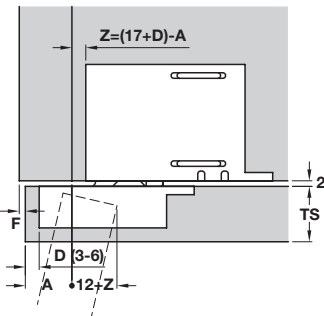
9

Furniture Hinges and Flap Fittings: Hinges

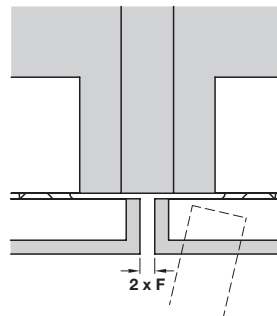


- > Concealed hinge system
- > Opening angle 105°
- > Load bearing capacity up to 12 kg
- > Integrated soft close damper
- > 3D adjustment
- > Fixing screws included

Overlying



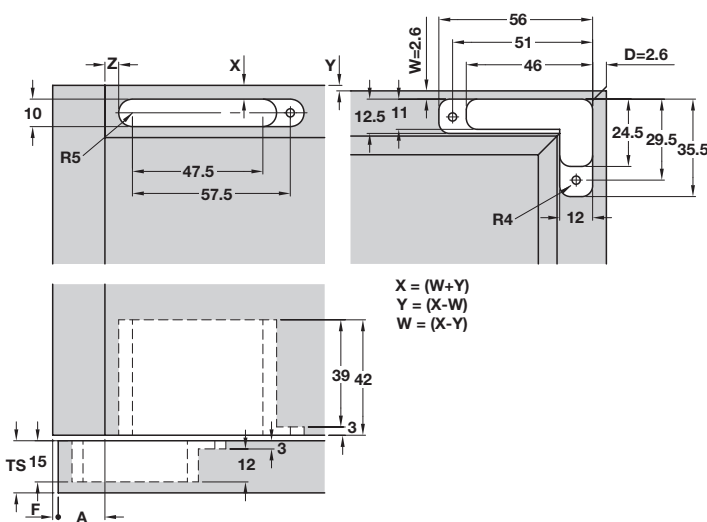
Half overlay



Minimum gap width (F)

Door thickness (TS)	D				
	2.6	3.6	4.6	5.6	6.6
32.0	4.7				
30.0	3.1				
28.0	2.1				
26.0	1.4				
24.0	0.9				
22.0	0.5				
20.0	0.2				
18.0	0.0				
Minimum gap width (F)					

Installation dimensions

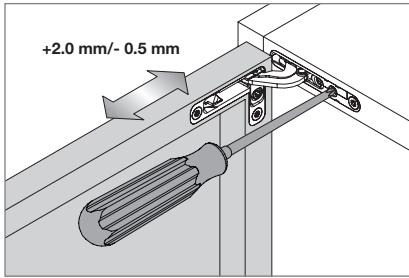


Door overlay side (Z)

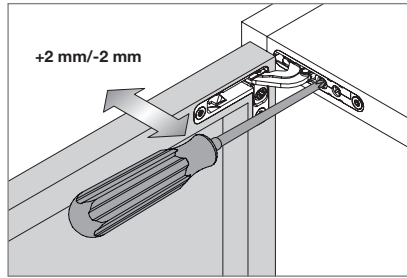
Door thickness (A)	D				
	2.6	3.6	4.6	5.6	6.6
17.0	2.6				
16.0	3.6				
15.0	4.6				
14.0	5.6				
13.0	6.6				
12.0	7.6				
11.0	8.6				
<b>Z (Z = 17 + D - A)</b>					

TOH TECHNOLOGY 2018, © Hafele U.K., Ltd 2018. Dimensional data not binding. We reserve the right to alter specifications without notice.

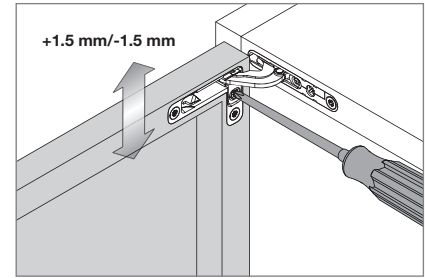
### Lateral adjustment



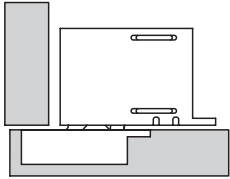
### Depth adjustment



### Vertical adjustment



## Grass Tiomos H AL hidden hinge, for aluminium doors

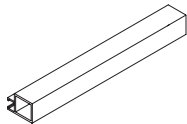


- > For cabinet thickness min. 18 mm
- > Cabinet rebate depth: 42 mm
- > Zinc alloy
- > Set consists of:
  - 2x hinges
  - 4x corner connectors
  - 2x cover caps
  - Fixing screws
- > Order qty: 1 set



Finish	Cat. No.
Nickel-plated	348.21.520

## Grass aluminium profile for Tiomos H AL hidden hinge

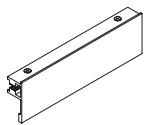


- > 3 m length
- > Aluminium
- > Order qty: 1 pc



Finish	Cat. No.
Pewter	348.21.530

## Grass adaptor for Tiomos H AL hidden hinge



- > Aluminium
- > Order qty: 1 pc



Finish	Cat. No.
Pewter	348.21.540

### Pull cut-out

