

SHOE STORAGE

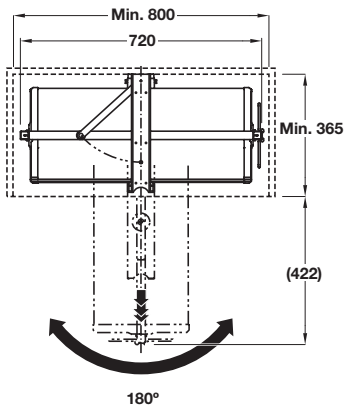
Extending rack with shoe shelves for up to 50 pairs of shoes. Extending and rotating (180°) for access from both sides. Shelves can easily be hooked in and removed for easy cleaning.

2

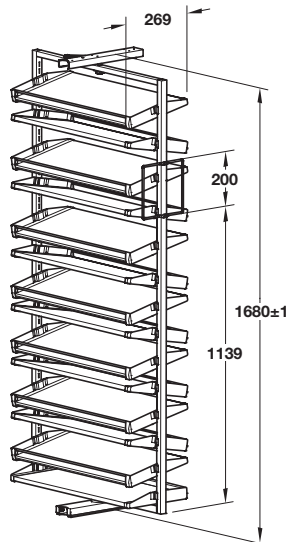
Bedroom Fittings and Accessories: Storage Systems



Pull out shoe rack for tall cabinets



- > For screw fixing to cabinet base and shelf
- > For internal cabinet height 1680 mm
- > For min. internal cabinet depth 365 mm
- > Load bearing capacity 2 kg per shelf
- > Max. shoe length 310 mm
- > Rotates 180°
- > Black steel hanging frame, dark grey plastic shelves
- > Supplied with:
 - 1x Hanging frame
 - 1x Pull-out runner, top and bottom
 - 14x Shelves
 - 1x Set of fixing materials
- > Order qty: 1 set



Cat. No.	806.22.401
Shoe rack pull out	

DESIGN 2016, © Häfele U.K. Ltd 2016. Dimensional data not binding. We reserve the right to alter specifications without notice.