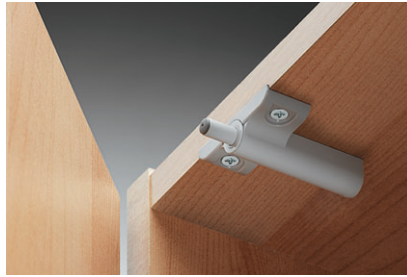


SOFT CLOSE MECHANISM FOR DOORS



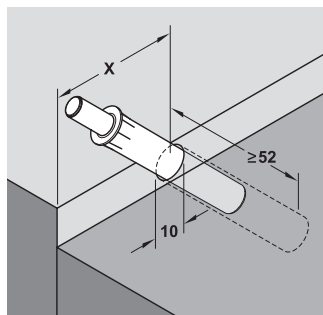
Soft close mechanism 356.37.000/001/002



Soft close adaptor housing 356.37.011 and mechanism 356.37.000/001/002

- > Installation recommendation
 Light duty: Centre of cabinet side panel opposite hinge side
 Medium duty: Centre of cabinet top panel
 Heavy duty: Cabinet top panel, closer to pivot point
- > The choice of the correct version (duty) and the exact mounting position depend on the door width, door weight and the hinges that are used. Trial mounting is recommended

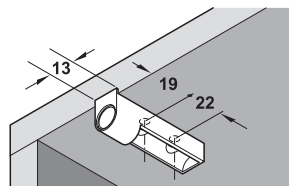
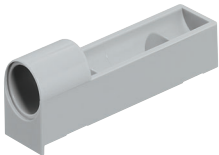
Soft close mechanism



- > For inserting into adapter housing or plug fitting into Ø 10 mm drill hole
- > Grey plastic
- > Order qty: 1 pc

Version	Cat. No.
Light duty	356.37.000
Medium duty	356.37.001
Heavy duty	356.37.002

Linear adapter housing

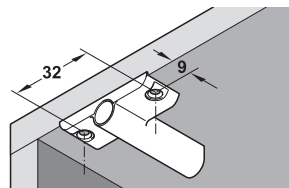


- > For screw fixing
- > Plastic
- > Order fixing screws separately
- > Order qty: 1 pc



Finish	Cat. No.
Grey	356.37.010

Cruciform adapter housing with positioning aid

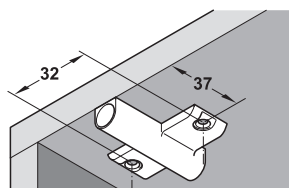


- > For screw fixing
- > Plastic
- > Order fixing screws separately
- > Order qty: 1 pc



Finish	Cat. No.
Grey	356.37.011

Cruciform adapter housing for 32 mm series drilled holes



- > For screw fixing
- > Plastic
- > Order fixing screws separately
- > Order qty: 1 pc



Finish	Cat. No.
Grey	356.37.012

DRAWER SYSTEMS, STAYS AND HINGES 2015, © Häfele U.K. Ltd 2015. Dimensional data not binding. We reserve the right to alter specifications without notice.