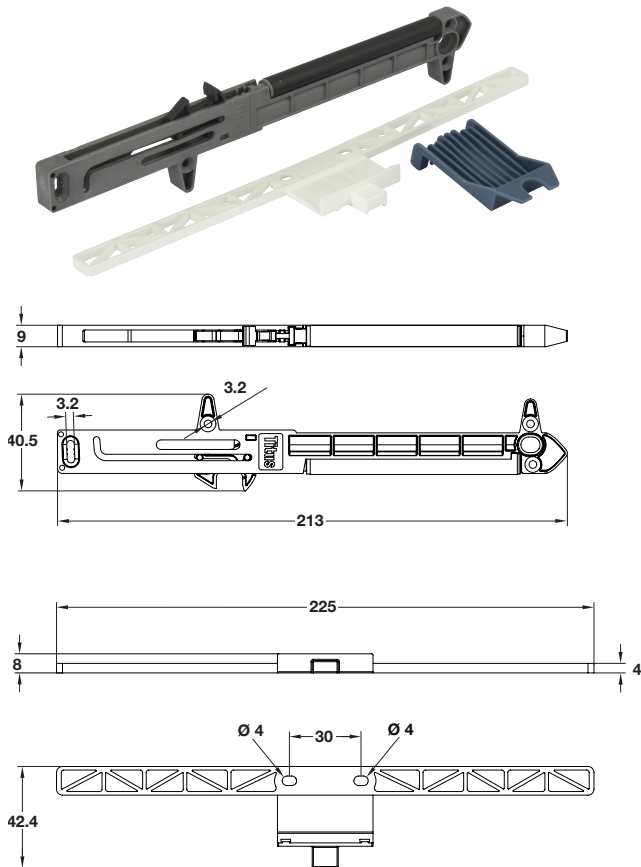


Soft close mechanism for metal drawers

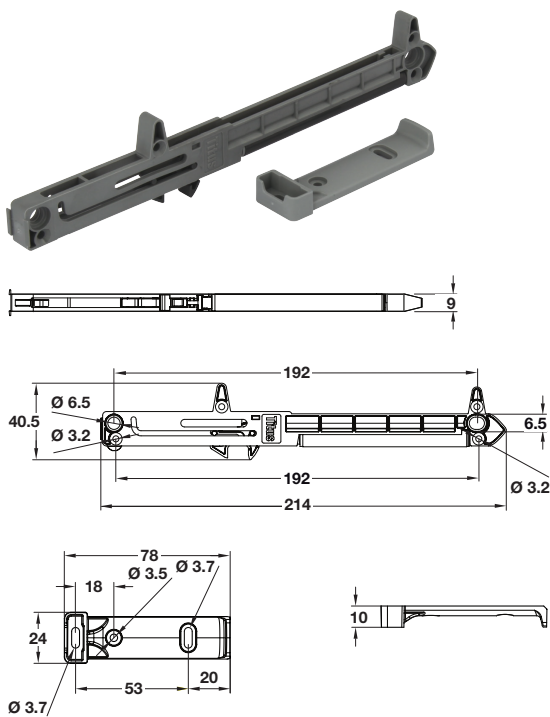


- > For installation above the drawer slide on the front side of the cabinet
- > Works with most single metal drawer sides
- > Easy to install
- > Can be retro-fitted
- > Plastic
- > Set consists of:
 - 1x Titusoft mechanism
 - 1x activator
 - 1x mounting jig
 - 2x Countersunk Hospa screws, 3.5 x 15 mm
 - 2x Pan head Hospa screws, 3.5 x 13 mm
 - 1x fitting instructions
- > Order qty: 1 set



| Finish | Cat. No. |
|--------|------------|
| Grey | 432.13.540 |

Soft close mechanism for wooden drawers



- > For installation above the drawer slide on the front side of the cabinet
- > Works with most roller runners
- > Easy to install
- > Can be retro-fitted
- > Plastic
- > Set consists of:
 - 1x Titusoft mechanism
 - 1x activator
 - 2x Countersunk Hospa screws, 3.5 x 15 mm
 - 2x Pan head Hospa screws, 3.5 x 13 mm
 - 1x fitting instructions
- > Order qty: 1 set



| Finish | Cat. No. |
|--------|------------|
| Grey | 432.13.541 |