

LOOX 24V LED 3018 READING OR DESK LIGHT

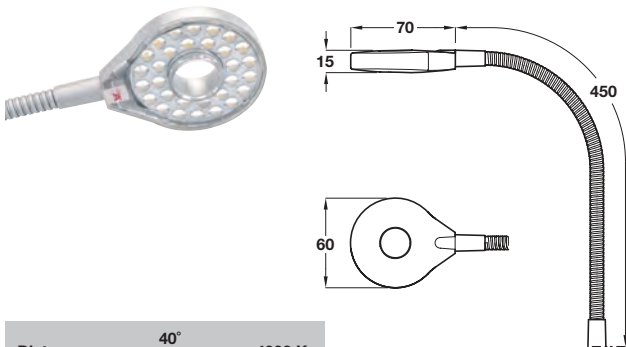
A 24V flexible reading light for use in offices, hotels or in the bedroom. With touch on / touch off or touch to dim switch.

Loox 24V LED 3018 Flexible reading light, 2.75W



IP20

- > Flexible arm, with built-in switch, dimmable by finger touch
- > Surface or drill through mounting
- > Screw fixing, fixings included
- > Voltage: 24V. Wattage: 2.75W
- > With 2.0 m lead with Loox 24V connector
- > Silver coloured plastic
- > Order qty: 1 pc



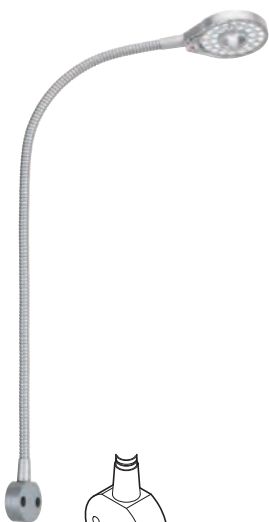
Distance	40°	4000 K
250 mm		2683 Lx
500 mm		671 Lx
750 mm		298 Lx
1000 mm		168 Lx

Output:	4000 K
Light colour:	Cool white
Number of diodes:	30
Light output (Lm):	150.5
Wattage (W):	2.75
Efficacy (Lm/W):	55
Colour Rendering Index:	84



Fixing	Cat. No.
Surface mounting, Ø 8 mm access hole	833.77.001
Drill through, Ø 15 mm drill hole	833.77.000

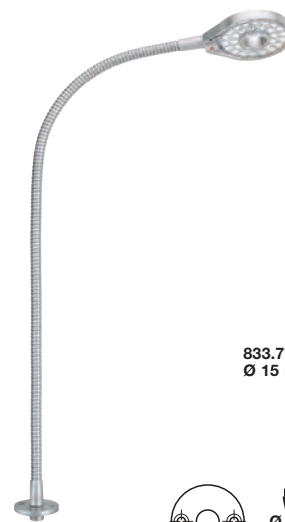
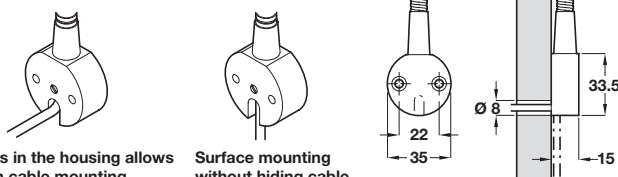
LIGHTING AND ELECTRICAL 2014, © Häfele U.K. Ltd 2014. Dimensional data not binding. We reserve the right to alter specifications without notice.



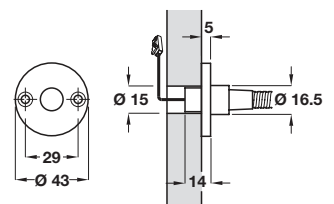
833.77.001 Surface mounting, Ø 8 mm drill hole required

Recess in the housing allows hidden cable mounting.

Surface mounting without hiding cable.



833.77.000 Drill through, Ø 15 mm drill hole required



- > Order Loox 24V driver and mains lead separately, shown on page **98**
- > Order switch separately, switches shown on pages **134-136**