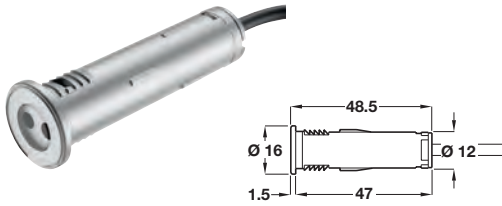


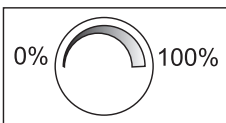
## Loox dimmer, touch-free



- > Wattage: 0.3-75W
- > For recess mounting in  $\varnothing 12 \times 47$  mm hole or order surface mounting housing separately
- > Sensor range: 0-80 mm
- > With 2.0 m lead with connector; fits any Loox driver
- > Plastic
- > Note: Cannot be used in combination with multi switch box 833.89.060
- > Order qty: 1 pc



- > Note: Not suitable for use with lights where 'This light is not dimmable' is stated
- > Cannot be used in combination with multi switch box Cat. No. 833.89.060

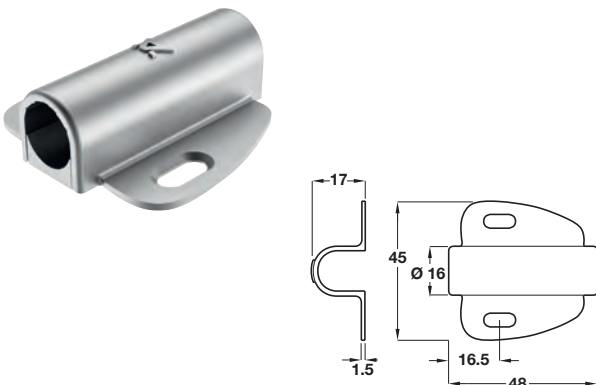


Quick 'touch' = on/off switch  
Longer 'touch' = dimmer function



Finish	Cat. No.
Silver coloured	833.89.073

## Loox switches housing for surface mounting



- > Only for use with  $\varnothing 12$  mm Loox switches shown on this page
- > Suitable for 32 mm series-drilled holes
- > Plastic
- > Order qty: 1 pc



Finish	Silver coloured
Cat. No.	833.89.090

## Loox switches extension cable



- > For use with Loox switches
- > Black plastic
- > Order qty: 1 pc



Length	2000 mm
Cat. No.	833.89.067



- > Order Loox LED lights separately, shown on pages **14-130**
- > Order driver to suit light separately, shown on page **62, 98** or **132**