


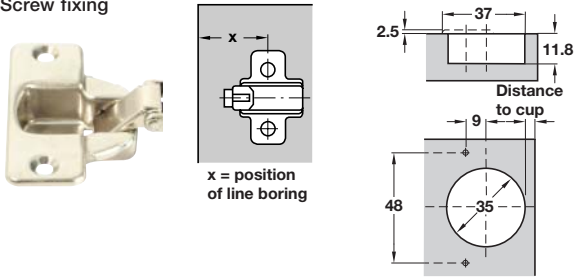
STANDARD HINGES FOR 30°/45° OR -14°/24° ANGLES



- > Opening angle 95°/125°
- > Choice of 45°/30° angle hinge or 14°/24° negative angle hinge
- > Sprung
- > Ø 35 mm cup
- > Screw fixing
- > Click on or slide on arms (for 45° and 30° only)
- > Soft close compatible
- > Cup: Nickel-plated pressed steel
- > Arm: Nickel-plated zinc alloy
- > Order qty: Multiples of 10 pcs

-  > Mounting plates for slide on and click on hinges shown on pages **110-113**
- > Hinge cover plates shown on page **111**
- > Soft close shown on page **114**

Screw fixing



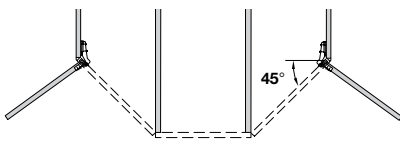
Dim. X mm	
37 mm	
2 mm	
Mounting plate height	
45° angle application	

Dim. X mm	
35 mm	34 mm
0 mm	2 mm
Mounting plate height	
30° angle application	

Dim. X mm	
38.5 mm	39 mm
0 mm	2 mm
Mounting plate height	
14° negative angle application	

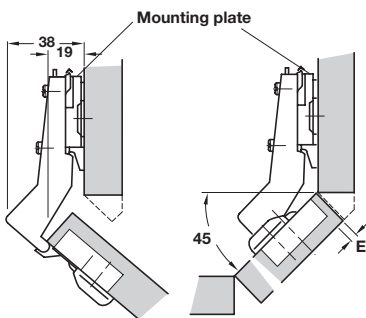
Dim. X mm	
42.5 mm	43.5 mm
0 mm	2 mm
Mounting plate height	
24° negative angle application	

Standard 95° concealed hinge for 45° angle applications



For 45° corner application

Drawing shows mounting plate thickness f = 4 and DBE = 6

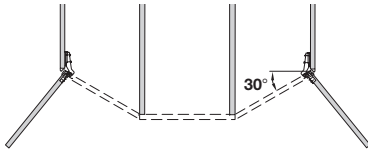


Door overlay mm		
	19	
	4	2
	6	4
Distance to cup E mm	Mounting plate height mm	

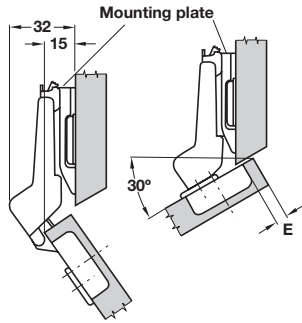
Fixing	Slide on	Click on
Screw fixing	323.29.507	322.29.531



Standard 95° concealed hinge for 30° angle applications



For 30° corner application

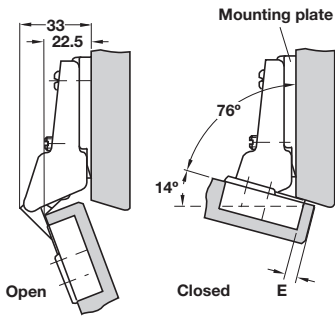


Door overlay mm							
10	11	12	13	14	15	16	
			3	4	5	6	0
	3	4	5	6			2
Distance to cup E mm				Mounting plate height mm			



Fixing	Slide on	Click on
Screw fixing	-	322.29.550

Standard 125° concealed hinge for 14° negative angle applications

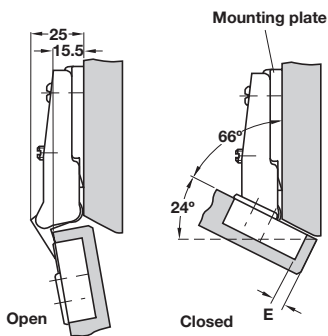


Door overlay mm							
	5	6	7	8	9	10	
			3	4	5	6	0
	3	4	5	6			2
Distance to cup E mm				Mounting plate height mm			



Fixing	Cat. No.
Screw fixing	322.40.630

Standard 125° concealed hinge for 24° negative angle applications



Door overlay mm						
	14	15	16	17	18	
		3	4	5	6	0
	4	5	6			2
Distance to cup E mm			Mounting plate height mm			



Fixing	Cat. No.
Screw fixing	322.40.631