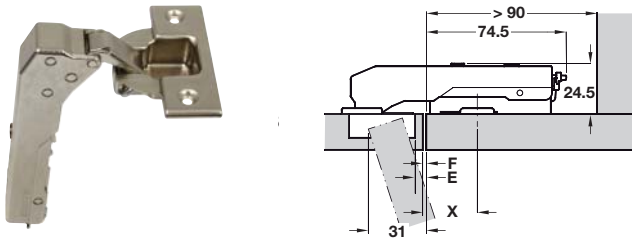


TIOMOS 110° POST HINGE AND 100° REFRIGERATOR DOOR HINGE

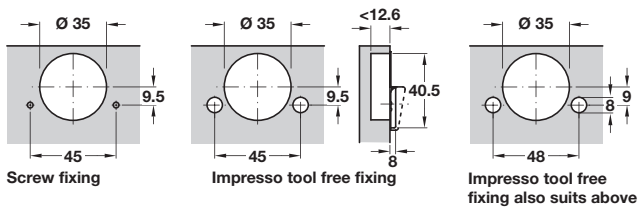


> Mounting plates and cover caps for these TIOMOS click on fixing hinges are shown on pages **85-88**

TIOMOS 110° Concealed post hinge



Drilling pattern for cup fixing



Tiomos 110° Post Hinge

Door thickness mm	Distance to cup E mm				
	3.0	4.0	5.0	6.0	7.0
16	0.6	0.6	0.6	0.6	0.6
17	0.6	0.6	0.6	0.6	0.6
18	0.7	0.7	0.7	0.7	0.7
19	0.9	0.9	0.9	0.9	0.9
20	1.1	1.1	1.1	1.1	1.1
21	1.4	1.3	1.3	1.3	1.3
22	1.6	1.6	1.6	1.5	1.5
24	2.4	2.1	2.1	2.1	2.0
Minimum gap F					

Notes:
 Minimum reveal for doors with bevelled edges (R = 1 mm) (factory setting)
 Use standard mounting plate height 3 to ensure that door is flush fitting
 Hinge dimensions and reveal calculation with factory setting
 Door protrudes inwards when fully opened

- > For blind corner applications
- > Opening angle 110°
- > Ø 35 mm cup
- > For door thickness up to 24 mm (for door thicknesses 24 mm and above, a trial fitting is recommended)
- > Available with integrated soft close
- > Screw fixing or Impresso cup
- > Click on arm
- > Steel cup and zinc alloy hinge arm
- > Note: Dimensions in drawings and tables are calculated using factory settings and for mounting plate distance 2 mm
- > Order qty: 1 pc

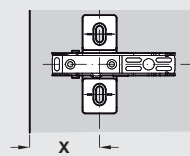


Table for cruciform mounting plate

Distance to cup E mm					28
4	5	6	7		
1	0				28
2	1	0			27
3	2	1	0		26
Door reveal F mm					Dim. X mm

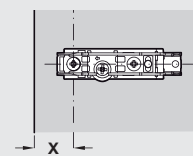


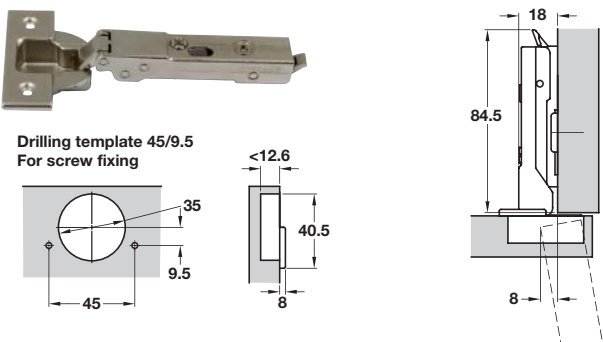
Table for inline mounting plate

Distance to cup E mm					11
4	5	6	7		
1	0				11
2	1	0			10
3	2	1	0		9
Door reveal F mm					Dim. X mm



Soft Close	Screw fixing	Impresso
With	348.37.800	348.37.830

TIOMOS 100° Refrigerator door hinge



Tiomos 100° Refrigeration Hinge

Door thickness mm	Distance to cup E mm				
	3.0	4.0	5.0	6.0	7.0
16	0.3	0.3	0.3	0.3	0.3
18	0.4	0.4	0.4	0.5	0.5
20	0.9	0.9	0.9	0.8	1.8
22	1.9	1.6	1.5	1.4	1.3
24	4.8	3.8	2.8	2.3	2.2
26	7.2	6.2	5.2	4.2	3.5
Minimum gap F					

- > Hinge for refrigerator doors (sliding system)
- > Opening angle 100°
- > For door thickness up to 24 mm (for door thicknesses 24 mm and above, a trial fitting is recommended)
- > Flat hinge arm
- > With self-closing mechanism (spring)
- > Click on arm
- > 3-dimensional adjustment with appropriate mounting plate
- > Without integrated damper
- > Order qty: 1 pc

Door overlay mm							
13	14	15	16	17	18	19	
		3	4	5	6	7	0
3	4	5	6	7			2
Distance to cup E mm				Mounting plate height mm			



Soft close	Screw fixing
Without	348.28.600