

# FLAP HINGES



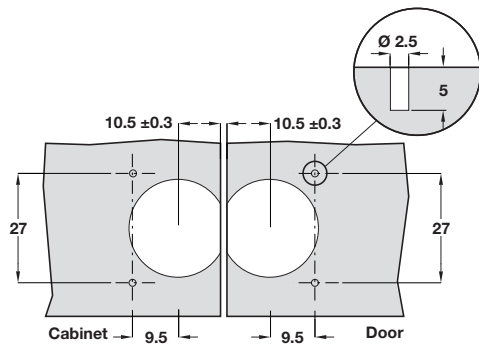
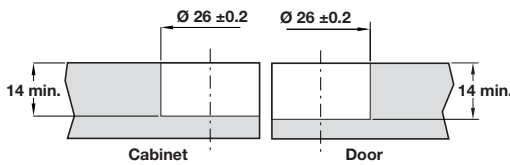
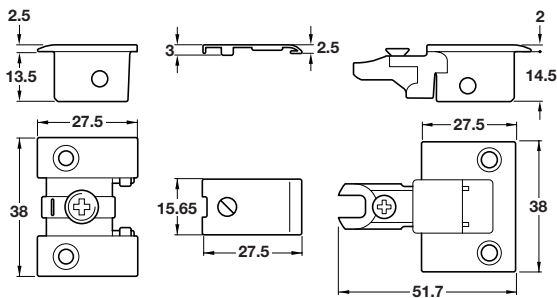
> Order drop down lid stays separately, shown from page 49



## Kimana flap hinge set



- > For flap or lid stay applications
- > Adjustable fitting  $\pm 1$  mm
- > Opening angle 90°
- >  $\varnothing 26$  mm cup
- > Variable cabinet and door thickness possible (minimum cabinet and door thickness 18 mm)
- > Suitable for aluminium and wooden doors
- > Screw fixing
- > Set consists of:
  - 1x Flap hinge
  - 1x Plate
  - 1x Cover cap
  - Screws
- > Nickel-plated steel cup and arm
- > Order qty: 1 set



Finish  
Nickel-plated steel

Cat. No.  
342.73.610

PAGE AMENDED  
12.12.13/1\*