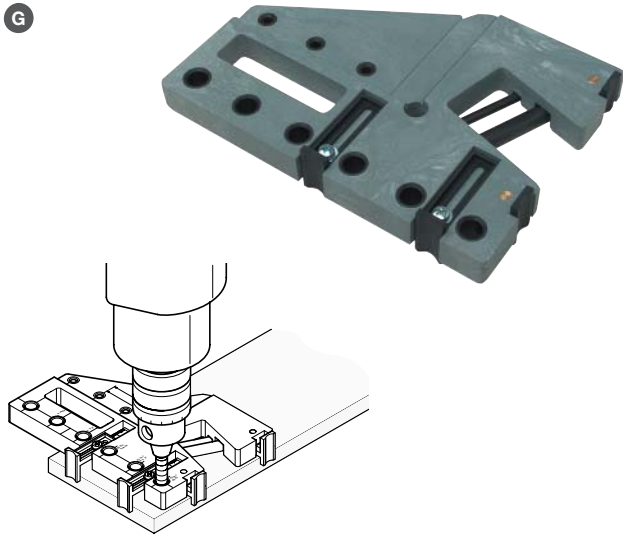


INSTALLATION TOOLS

For use with Grass single walled metal drawer sides.

Drilling jig for drawer front fixing with Grass metal drawer sides



- > Has fixing positions for 53, 85, 117 and 149 mm high drawer sides
- > For pilot drilling positions of drawer front fixing components and gallery rails for drawer fronts
- > Jig dimensions: Height x width x depth: 18 x 190 x 135 mm
- > Grey plastic with hardened steel inserts
- > Order qty: 1 pc

Colour	Cat. No.
Black	555.62.900

Drilling jig for Grass metal drawer slides



- > For pre-drilling the cabinet slide position with pilot drill bit; order pilot drill separately, shown below
- > For use with Grass metal drawer single extension and full extension roller slides shown on pages **237-238**
- > Nickel-plated
- > Order qty: 1 pc

	Cat. No.
Drilling jig	559.86.545

Pilot drill bit



- > To be used with drilling jig **559.86.545**
- > Order qty: 1 pc

Ø	Cat. No.
3.5 mm	001.42.030

Marking jig set for Grass metal drawer sides



Suitable for 53 mm high Grass metal drawer sides

Suitable for 87, 117 and 149 mm high Grass metal drawer sides

- > Two versions:
 - Suitable for 53 mm high Grass metal drawer sides
 - Suitable for 87, 117 and 149 mm high Grass metal drawer sides
- > Set consists of:
 - 1x Left hand marking jig
 - 1x Right hand marking jig
 - 4x Marker points
- > Order qty: 1 set

Suitable for drawer sides	53 mm	87/117/149 mm
Marking jig set	559.86.525	559.86.526

LIFT, TURN AND SLIDE 2013, © Häfele U.K. Ltd 2013. Dimensional data not binding. We reserve the right to alter specifications without notice.