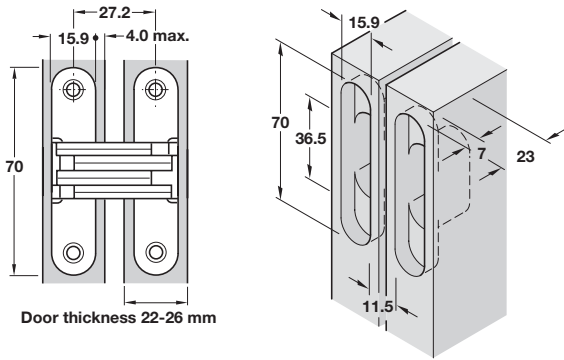


**Soss hinge 208**

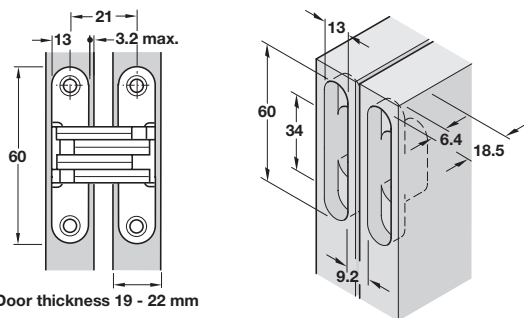


- > For door thickness 22-26 mm
- > Zinc alloy body, steel or stainless steel links
- > Order qty: 1 pc



Finish	Steel links	Stainless steel links
Brass-plated	341.07.545	341.07.548
Nickel-plated	341.07.745	341.07.748

**Soss hinge 204**

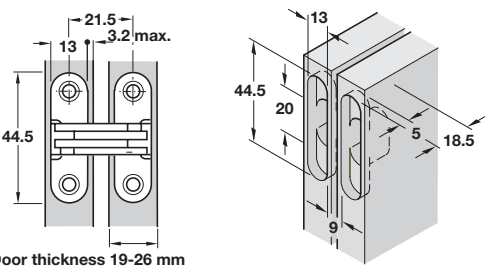


- > For door thickness 19-22 mm
- > Zinc alloy body, steel or stainless steel links
- > Order qty: 1 pc



Finish	Steel links	Stainless steel links
Brass-plated	341.07.536	341.07.538
Nickel-plated	341.07.736	341.07.738

**Soss hinge 203**

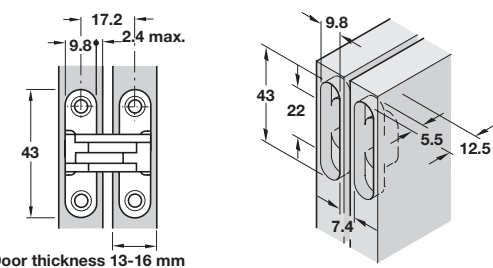


- > For door thickness 19-26 mm
- > Zinc alloy body, steel links
- > Order qty: 1 pc



Finish	Cat. No.
Brass-plated	341.07.527
Nickel-plated	341.07.727

**Soss hinge 101**

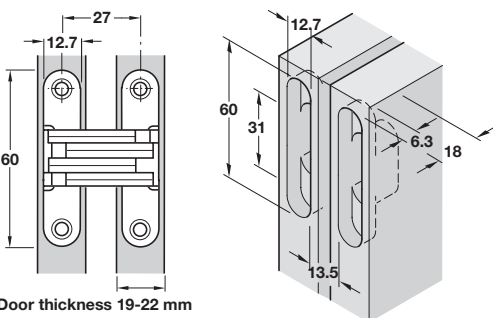


- > For door thickness 13-16 mm
- > Zinc alloy body, steel links
- > Order qty: 1 pc



Finish	Cat. No.
Brass-plated	341.07.518
Nickel-plated	341.07.718

**Soss hinge 205**



- > For metal door installation only
- > For door thickness 19-22 mm
- > Zinc alloy
- > Order qty: 1 pc



Finish	Cat. No.
Nickel-plated	341.18.703

LIFT, TURN AND SLIDE 2013, © HÄFELE U.K. Ltd 2013. Dimensional data not binding. We reserve the right to alter specifications without notice.