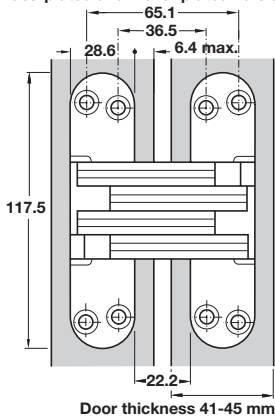


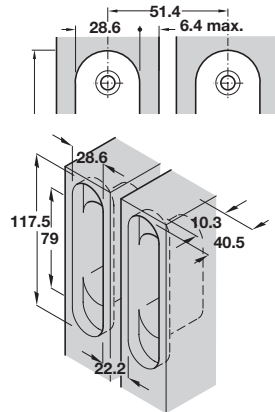
- > Soss hinges
- > Opening angle 180°
- > Ideal for either timber or metal doors where robust usage required
- > Concealed installation acts as a vandal deterrent
- > Stainless steel version corrosion resisting

Soss hinge 218

Brass-plated and nickel-plated version



Stainless steel version

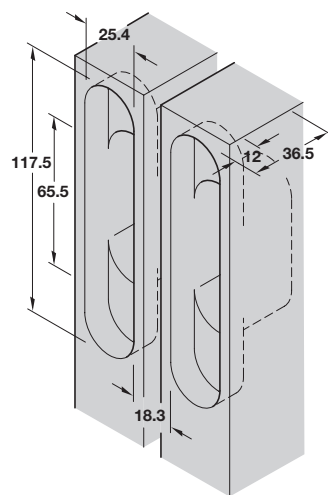
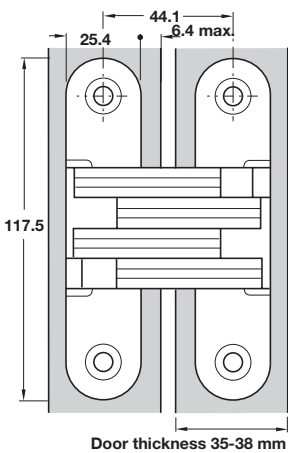


- > For door thickness 41-45 mm
- > *1 hour fire rated. Passed 1 hr fire test carried out by Chiltern Fire research station in accordance with BS476 : PT 22 : 1987 section 6
- > **1/2 hour fire rated. Passed 1/2 hr fire test carried out by Warrington Fire research station in accordance with BS476 : PT 22 : 1987 section 6
- > Order qty: 1 pc



Body/Links	Cat. No.
Brass-plated zinc alloy/Brass-plated steel	341.07.572
Nickel-plated zinc alloy/Nickel-plated steel	341.07.772**
316 Stainless steel/Stainless steel	341.07.070*

Soss hinge 216

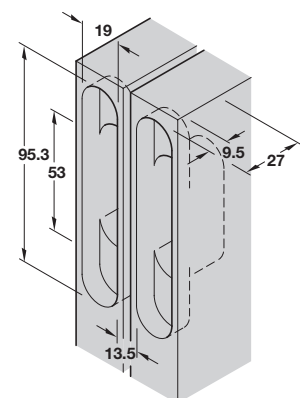
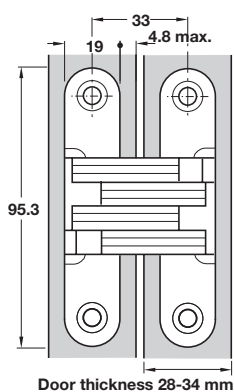


- > For door thickness 35-38 mm
- > Zinc alloy hinge with brass-plated steel links
- > Order qty: 1 pc



Finish	Cat. No.
Brass-plated	341.07.563
Nickel-plated	341.07.763

Soss hinge 212



- > For door thickness 28-34 mm
- > Zinc alloy hinge with brass-plated steel links
- > Order qty: 1 pc



Finish	Cat. No.
Brass-plated	341.07.554
Nickel-plated	341.07.754