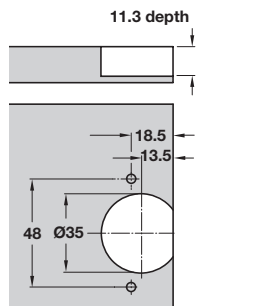


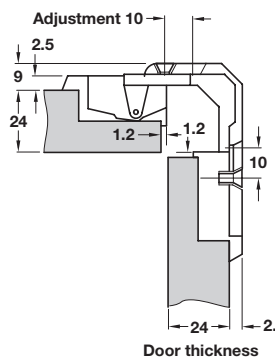
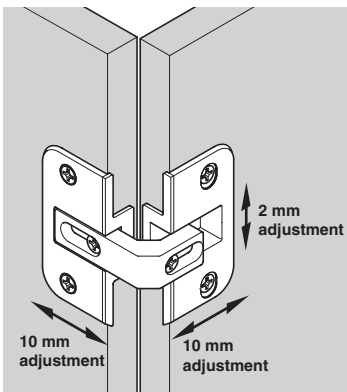
Pie-cut corner hinge




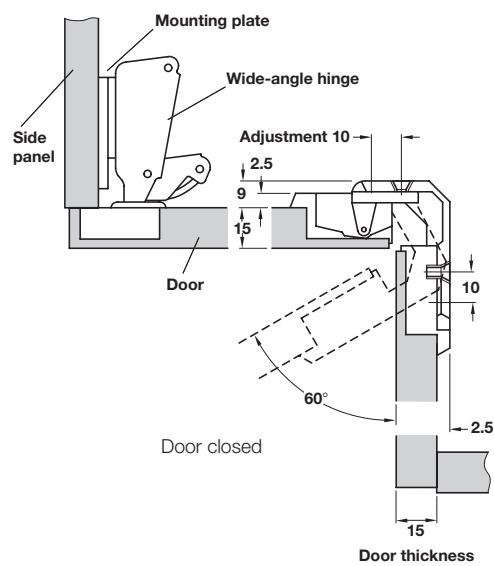
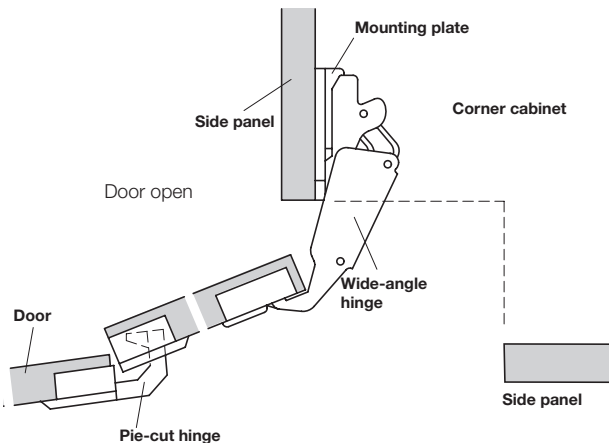
150°



- > Opening angle 150°
- > For variable door thickness 15 to 24 mm
- > Ø 35 mm cup
- > Screw fixing
- > Adjustable in 3 directions
- > Nickel-plated zinc alloy hinge
- > Designed to leave a small gap for air circulation
- > Order qty: Multiples of 10 pcs



 > Wide angle hinges are shown on pages **76-77**



Pie-cut corner hinge

Cat. No.
343.90.700