

HÄFELE 170° STANDARD HINGES

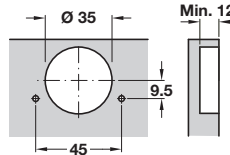


- > Opening angle 170°, Ø 35 mm cup
- > Screw fixing cup
- > Click on or slide on arm
- > For door thickness up to 24 mm see table below
- > Full overlay mounting steel cup and hinge arm, half overlay mounting steel cup and zinc alloy arm
- > Order qty: 1 pc



- > For mounting plates and accessories see pages **130-131**
- > Soft close clip on fitting for sprung hinges shown below

Drilling pattern for cup fixing



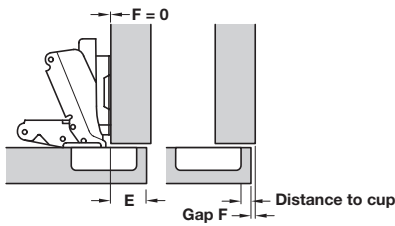
Häfele 170° hinge

Minimum gap for doors with chamfered edges (r = 1 mm) with factory setting

Door thickness mm	Distance to cup E mm				
	3.0	4.0	5.0	6.0	7.0
16-23	0.0	0.0	0.0	0.0	0.0
24	0.0	0.0	0.0	2.6	5.1
Minimum gap F					

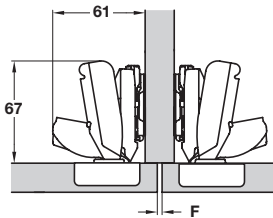


Full overlay mounting



Door overlay mm								
13	14	15	16	17	18	19	20	
			3	4	5	6	7	0
3	4	5	6	7				3
Distance to cup E mm				Mounting plate height mm				
Fixing		Click on		Slide on				
Screw fixing		312.23.550		312.05.520				

Half overlay mounting

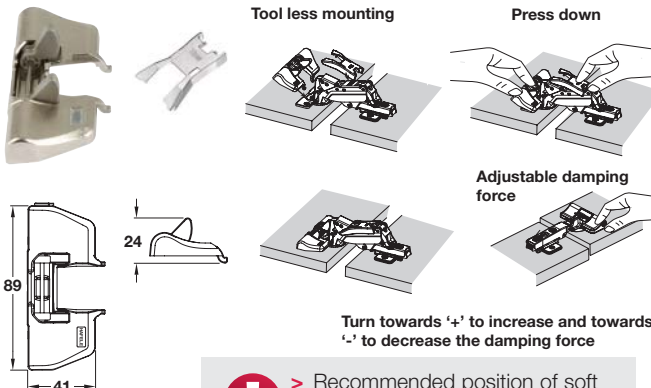


Drawing show application on 0 mm thick mounting plate



Door overlay mm								
13	14	15	16	17	18	19	20	
			3	4	5	6	7	0
3	4	5	6	7				3
Distance to cup E mm				Mounting plate height mm				
Fixing		Click on		Slide on				
Screw fixing		312.23.755		312.05.750				

Add on soft close 170°



- > Recommended position of soft close is shown on page **119**

- > For use with 170° hinge only
- > Order qty: 1 pc

Opening angle	Cat. No.
170°	312.07.712