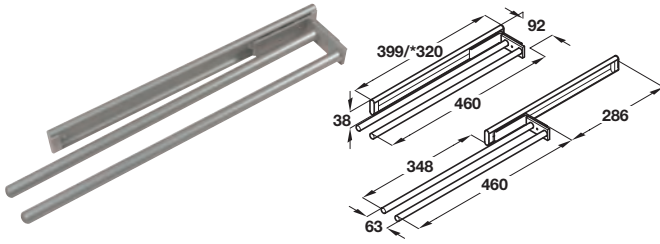


Towel rail, 2 arm

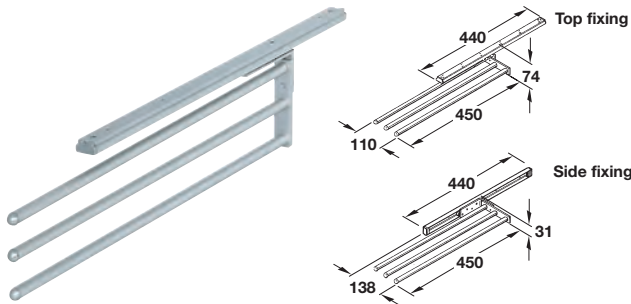


- < By adjusting the position of the mounting bar through 90° can be fitted left or right within a cabinet or under a worktop
- < Installed length 460 mm
- < Extension length 347 mm
- < Runners have three position rollers
- < Silver anodised aluminium mounting bar and rail with plastic end caps
- < Order qty: 1 pc



Finish	Cat. No.
Silver anodised	510.50.929

Towel rail, 3 arm

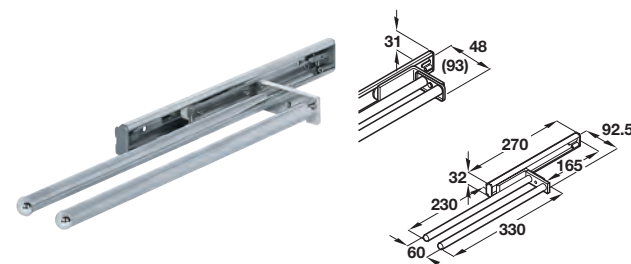


- < Can be swivelled by 90°
- < Installed length 465 mm
- < Extension length 305 mm
- < For lateral or top screw fixing
- < Aluminium, with plastic end caps
- < Order qty: 1 pc



Finish	Cat. No.
Silver coloured anodized	510.50.935

Towel rail, 2 arm

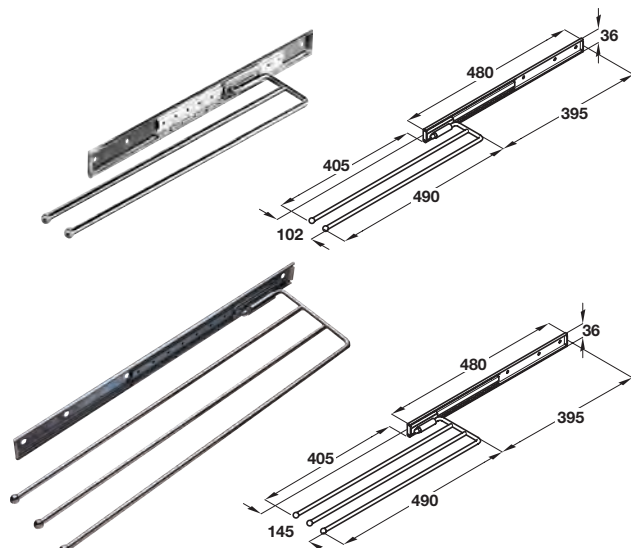


- < Can be swivelled by 90°
- < Installed length 340 mm
- < Extension length 160 mm
- < For lateral or top screw fixing
- < Aluminium runner and rails, plastic running gear
- < Order qty: 1 pc



Finish	Cat. No.
Polished chrome	510.51.224
Silver coloured anodised	510.51.924

Steel towel rail, 2 or 3 arm



- < Side or top mounting, for fitting left or right within a cabinet or under a worktop
- < Incorporating ball bearing runner
- < Installed length 495 mm
- < Extension length 395 mm
- < Polished chrome-plated steel
- < Order qty: 1 pc



Finish	With 2 arms	With 3 arms
Polished chrome	510.37.220	510.37.239