

## SWEEPOVAC KITCHEN VACUUM FOR PLINTHS

Get rid of the dustpan from your kitchen or utility room - install this plinth vacuum under your kitchen units and then simply sweep, hit the switch and watch the dust and dirt disappear.

- > Easy to fit and maintenance free
- > Reduces household work - no bending and no dustpan
- > Immediate removal of dirt, pet hairs are kept under control
- > Powerful suction, can be used to suck debris off brush head
- > Dust bags are easy to remove and easily hold twelve weeks of sweepings
- > Available with stainless steel or white/black plastic front trim plate



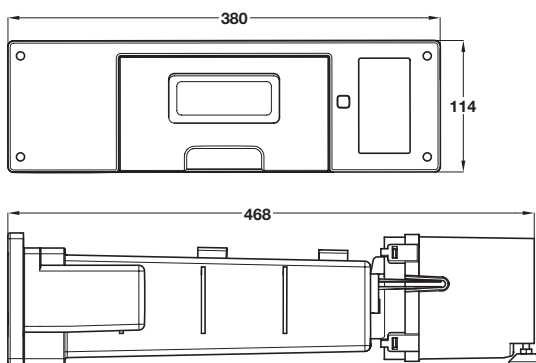
Switch on with foot ...



...or by broom.



### Sweepovac kitchen vacuum for plinths



- > For minimum plinth height 116 mm
- > Plinth cut out required: 330 x 110 mm (template provided)
- > 650 watt motor
- > Kick switch for turning on or off
- > With bag full indicator light
- > Safety cut out - switch turns off automatically after 10 seconds
- > 2 year guarantee
- > Fitting includes
  - 1x Sweepovac unit, black plastic
  - 1x Mains lead, 1.5 m long, with 13A plug
  - 1x Front trim plate, stainless steel or plastic
  - 5x Dust bags
  - 1x Filter
  - 1x Template for plinth cut out
  - 4x Ø4 x 20 mm fixing screws
  - 1x Hex key
  - 1x Fitting instructions
- > Order qty: 1 pc



Plinth vacuum with front trim plate	Cat. No.
Stainless steel	565.29.092
White and black plastic	565.29.089
	Cat. No.
Replacement bags (set of 5 bags, 1 filter)	565.29.086