

Diagram for drilling holes

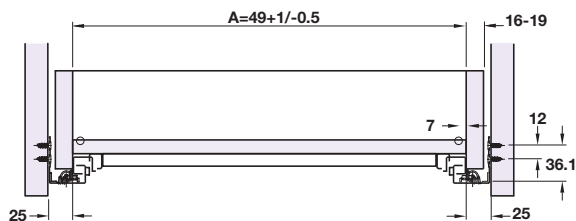
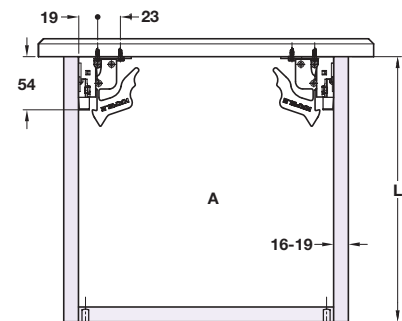
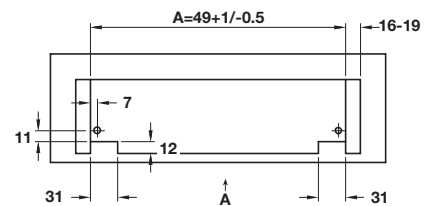
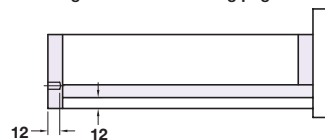


Diagram for front locking peg



A Concealed undermount drawer runners, full extension

- Under mounted
- **30 kg** carrying capacity
- With integrated Soft-close®
- Galvanized steel
- **Please note:** for soft close to work correctly, the runners must be installed in line and exactly level with each other

Length	Extension length	Cabinet length (L1)	Cat. No.
300 mm	288 mm	318 mm	433.10.530
350 mm	338 mm	368 mm	433.10.535
400 mm	388 mm	418 mm	433.10.540
450 mm	438 mm	468 mm	433.10.545
500 mm	488 mm	518 mm	433.10.550
550 mm	538 mm	568 mm	433.10.555

Order qty: 1 pair

TCH 2013. © Häfele U.K. Ltd 2013. Dimensional data not binding. We reserve the right to alter specifications without notice.