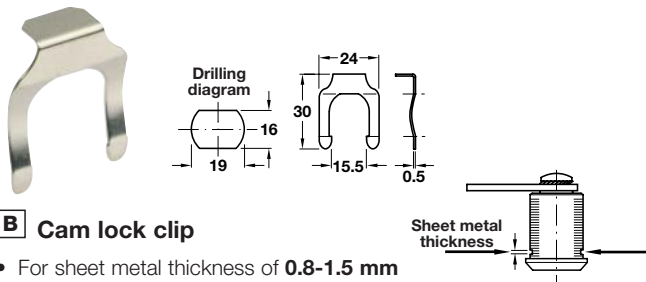


A Symo 3000 glass door cylinder lock with rack

- For glass panels from **4-7 mm**
- For on-site installation of cylinder cores
- Zinc alloy housing
- Stainless steel rack

Housing finish	Cat. No.
Matt nickel-plated	233.44.600

Order qty: 20 pcs

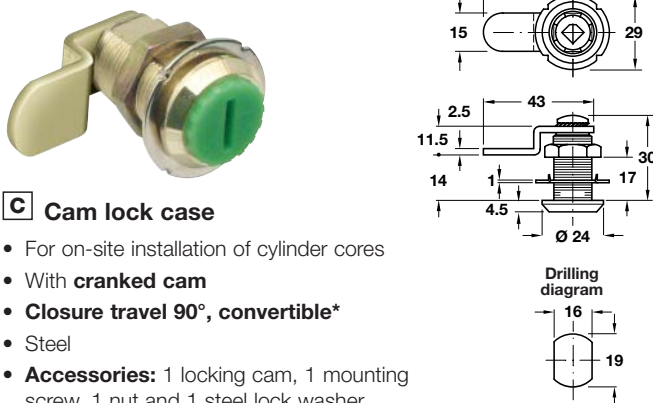


B Cam lock clip

- For sheet metal thickness of **0.8-1.5 mm**
- For use when mounting cam locks into metal doors
- Steel

Finish	Cat. No.
Nickel-plated	235.88.990

Order qty: 1 pc

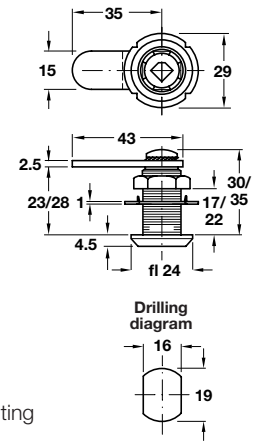


C Cam lock case

- For on-site installation of cylinder cores
- With **cranked cam**
- **Closure travel 90°, convertible***
- Steel
- **Accessories:** 1 locking cam, 1 mounting screw, 1 nut and 1 steel lock washer

Closure direction	A (D, F, G*)	B (C, E, F*)
Polished nickel plated	235.88.820	235.88.830

Order qty: 1 pc



D Cam lock case

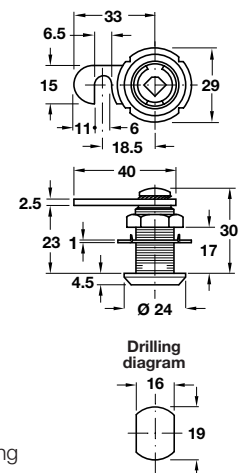
- For on-site installation of cylinder cores
- With **straight cam**
- Closure travel 90°, convertible
- Zinc alloy
- **Accessories:** 1x locking cam, 1x mounting screw, 1x nut and 1x steel lock washer

Maximum thread 17 mm	Cat. No.	
Closure direction	A (D, F, G*)	B (C, E, F*)
Polished nickel-plated	235.88.600	235.88.610

Order qty: 1 pc

Maximum thread 22 mm	Cat. No.	
Closure direction	A (D, F, G*)	B (C, E, F*)
Polished nickel-plated	235.88.620	235.88.630

Order qty: 1 pc



E Cam lock case

- For on-site installation of cylinder cores
- With **hook cam**
- Closure travel 90°, convertible*
- Zinc alloy
- **Accessories:** 1x locking cam, 1x mounting screw, 1x nut and 1x steel lock washer

Closure direction	A (D, F, G*)	B (C, E, F*)
Polished nickel-plated	235.88.720	235.88.730

Order qty: 1 pc

The locks can be operated by turning the protective cap with a screwdriver or coin, before the cylinder cores are installed

