

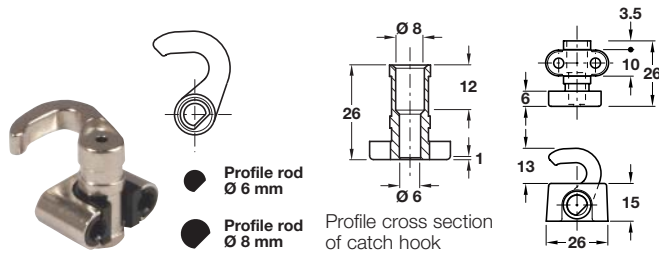
A Profile rod

- Standard length of 2.0 or 2.5 m
- Polished nickel-plated drawn steel
- Please ask for information on price and minimum order quantities of special cut to size lengths



Rod Ø	2.0 m	2.5 m
Ø 6 mm	226.07.209	226.07.254
Ø 8 mm	226.67.205	226.67.250

Order qty: 1 pc (1.9, 2.0 or 2.5 m length)



B Top and bottom catch hooks

- Screw fixing
- Polished nickel-plated zinc alloy with plastic guide

Rod Ø	Cat. No.
Ø 6 and Ø 8 mm	226.30.790

Order qty: 1 pair

C Rod guides

- Screw fixing
- Recommended for use every 0.5 m
- Zinc alloy with plastic guides
- Nickel-plated

Rod Ø	Hole Ø	With cover
6 mm	6.4 mm	239.75.761
8 mm	8.4 mm	239.75.781

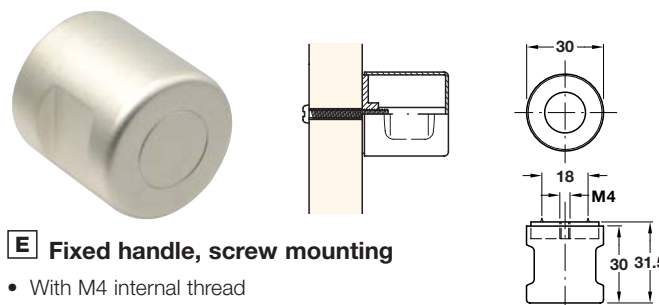
Order qty: 1 pc

D Locking bolt

- With screw fixing plate
- Zinc alloy

Finish	Cat. No.
Polished nickel-plated	226.57.708

Order qty: Multiples of 20 pcs

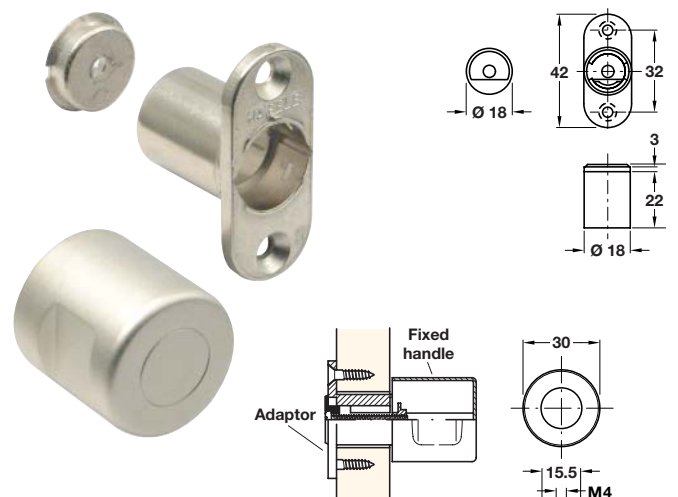


E Fixed handle, screw mounting

- With M4 internal thread
- Zinc alloy
- **Accessories:** 1x M4 x 25 mm mounting screw

Finish	Cat. No.
Matt nickel-plated	229.81.600

Order qty: 1 pc

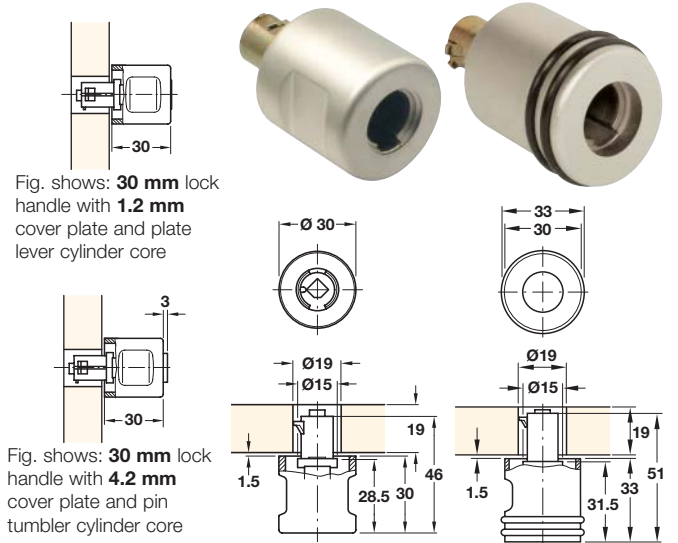


F Fixed handle for use with adaptor

- With M4 internal thread
- For maximum wood thickness 19 mm
- Matt nickel plated zinc alloy
- **Accessory:** 1 M4 x 25 mm mounting screw

Item	Cat. No.
Fixed handle for use with adaptor	229.82.600
Adaptor, with cover cap	229.82.690

Order qty: 1 pc



G Lock handle for cylinder cores

- For on-site installation of cylinder cores
- Left or right handed
- For 19 mm wood thickness
- Matt nickel-plated zinc alloy
- **Note:** It is only possible to remove the lock handle by using the release pin

Lock handle	Left	Right
Without rings	229.80.620	229.80.610
With rings	229.84.601	229.84.600
Cover plate	Cat. No.	
1.2 mm	229.83.691	
4.2 mm	229.83.692	
Release pin	Cat. No.	
Plastic cap with steel pin	229.85.990	

Order qty: 1 pc