

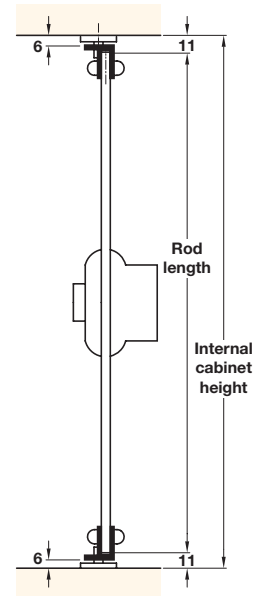
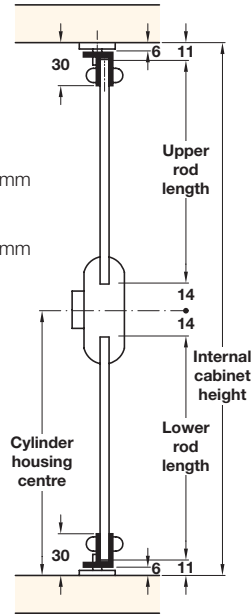
**Maximum rod dimensions:**

**Upper rod length**

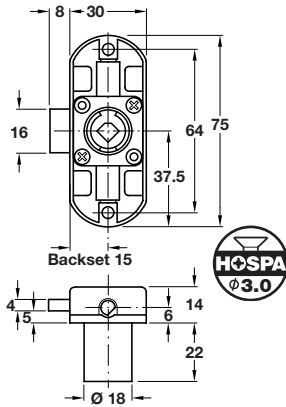
= cylinder housing centre - 25 mm

**Lower rod length**

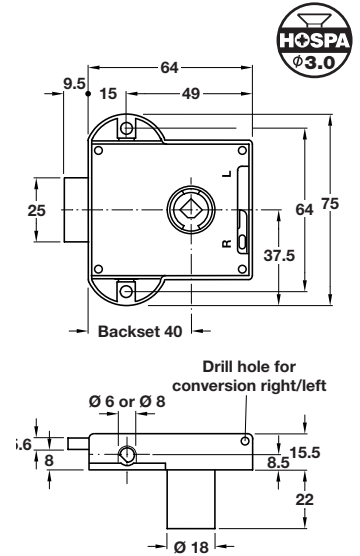
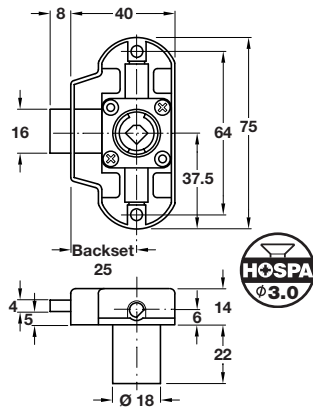
= cylinder housing centre - 25 mm



15 mm backset



25 mm backset



**B Symo 3000 Standard-Nova lock case**

- For on-site installation of cylinder cores
- Backset **40 mm**
- Screw fixing
- For **Ø 6 mm** or **Ø 8 mm** profile rod
- Unhanded
- Nickel-plated zinc alloy
- Order **cylinder rosette** separately

For profile rod	Cat. No.
Ø 6 mm	224.65.610
Ø 8 mm	224.65.600

Order qty: 1 pc

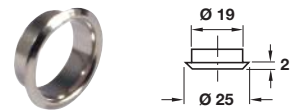
**A Symo 3000 Piccolo-Nova lock case**

- For on-site installation of cylinder cores
- Backset: **15 or 25 mm**
- Screw fixing
- For **Ø 6 mm** divided profile rod
- Left or right handed
- Nickel-plated zinc alloy
- Order **cylinder rosette** separately

Backset	Left	Right
15 mm	224.64.650	224.64.600
25 mm	224.64.660	224.64.610

Order qty: 1 pc

**C Cylinder rosette**



- Stainless steel

Finish	Cat. No.
Polished nickel-plated	219.19.677

Order qty: Multiples of 100 pcs