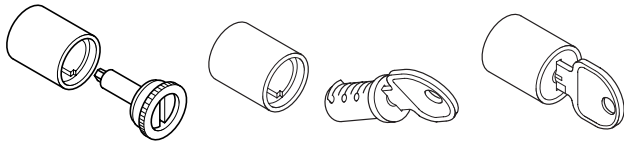


Symo 3000 cylinder cores can be installed, repositioned or replaced quickly without tools, simply by using the removal key

Inserting the cylinder core

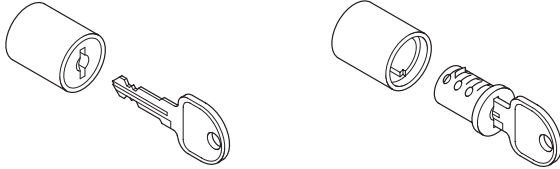


Remove protective cap from cylinder housing

Push the cylinder core with the inserted key into the cylinder housing

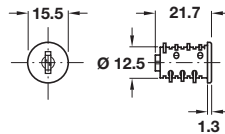
Exert light pressure until cylinder core snaps into place

Removing the cylinder core



The cylinder core can only be removed from the cylinder housing by using the removal key

Insert the removal key into the cylinder housing and withdraw under slight pressure

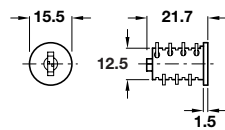


A Cylinder core

- For use with all locks and rotary handles of the Symo system
- For left or right hand use
- Zinc alloy housing, brass plate levers
- **6 plate levers** = 2600 different key changes possible
- **Accessories:** 2x keys
- Master keys 210.11.001, can be used with the keyed alike keys

Keyed alike	Nickel-plated
SH 0001	210.46.601

Order qty: 1 pc

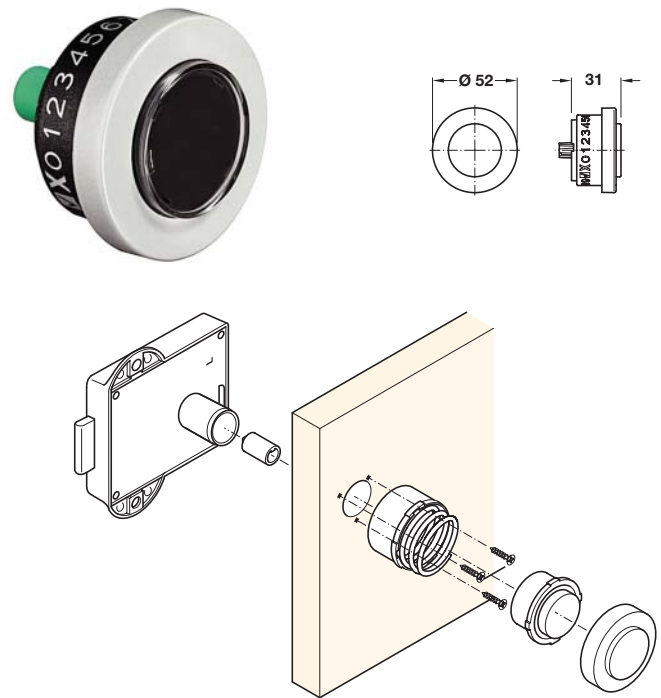


B Cylinder core, random key changes (no master key possible)

- Cylinder cores for left or right hand use
- Zinc alloy housing, brass plate levers
- 6 plate levers = 3000 different key changes possible
- Accessories: 2 keys

Nickel plated	Cat. No.
SH21	210.40.621
SH22	210.40.622
SH23	210.40.623
SH24	210.40.624
SH35	210.40.635
SH37	210.40.637

Order qty: 1 pc



C FL 112 Surface mounted espagnolette lock

- For use with Symo espagnolette and rim locks with cylinder housing length of max. 22 mm
- For doors up to 19 mm thick
- For left and right hand use
- Screw fixing, drilling pattern in accordance with the cylinder housing of the selected lock
- Locking system: With PIN number; choice of 1,000,000 combinations
- Programming in local user mode: User selects 1-6 digit combination which remains until changed e.g. staff lockers
- Programming in one time user mode: User selects 1-6 digit combination which is deleted when entered a second time e.g. sports facilities
- Includes:
 - 1x FL 112 surface mounted espagnolette lock with 3 screws
 - 1x Adapter set
 - 1x Set of installation and operating instructions

Surface mounted espagnolette Lock	
Finish	Cat. No.
Silver coloured with black dial	234.37.300
Drilling jig - for use with FL 112 espagnolette lock	
Finish	Cat. No.
Grey	234.37.903

Order qty: 1 pc



D Set of tools

- For installing and removing battery
- For use with FL 112 espagnolette lock

	Cat. No.
Set of tools	234.37.900

Order qty: 1 pc