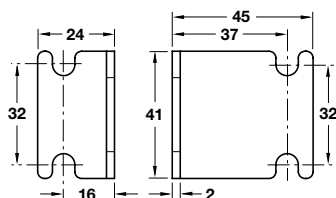
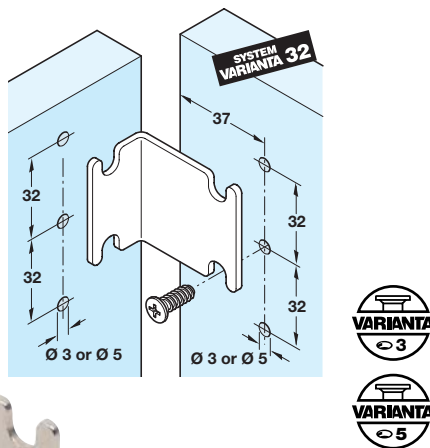


A Rear panel bracket with lugs

- For installation in system Varianta 32 Ø 5 mm series-drilled holes
- Lugs are knocked into the cabinet, the rear panel is then secured by screws through the bracket slots, allowing it to be adjusted and re-adjusted as necessary
- Polyamide

| Finish | Cat. No. |
|--------|------------|
| White | 260.12.706 |

Order qty: Multiples of 50 pcs

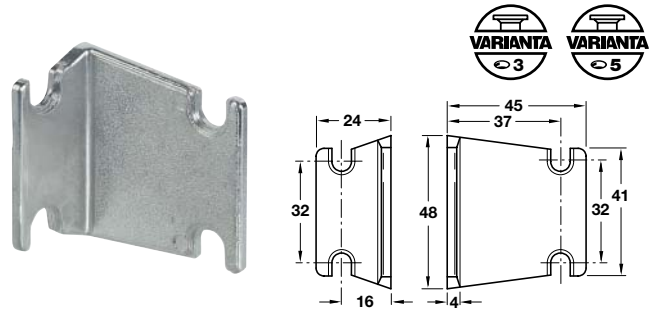


B Rear panel bracket

- For installation in system Varianta 32 Ø 3 or Ø 5 mm series-drilled holes
- Steel
- Varianta screws must be ordered separately

| Finish | Cat. No. |
|---------------|------------|
| Nickel-plated | 264.24.706 |

Order qty: Multiples of 50 pcs

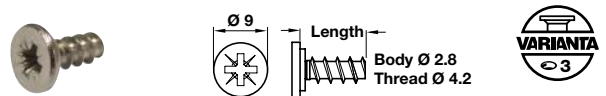


C Rear panel bracket

- For installation in system Varianta 32 Ø 3 or Ø 5 mm series-drilled holes
- Zinc alloy
- Varianta screws must be ordered separately

| Finish | Cat. No. |
|---------------|------------|
| Nickel-plated | 264.24.751 |

Order qty: Multiples of 50 pcs

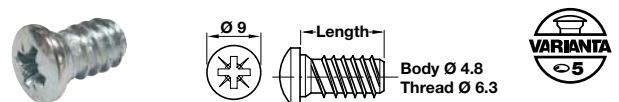


D Varianta screw, cylindrical head

- For Ø 3 mm hole
- Steel

| Length | Galvanized |
|---------|------------|
| 10.5 mm | 013.20.814 |
| 13.5 mm | 013.20.832 |

Order qty: 100 pcs

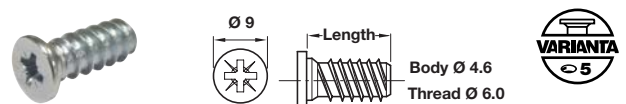


E Varianta screw, raised head

- For Ø 5 mm holes
- Steel

| Length | Nickel-plated | Galvanized |
|---------|---------------|------------|
| 10.5 mm | 264.25.794 | 264.25.990 |
| 13.5 mm | 264.25.785 | - |

Order qty: Multiples of 100 pcs



F Varianta screw, cylindrical head

- For Ø 5 mm holes
- Steel

| Length | Nickel-plated | Galvanized |
|---------|---------------|------------|
| 16.0 mm | 013.20.743 | 013.20.949 |

Order qty: Multiples of 100 pcs