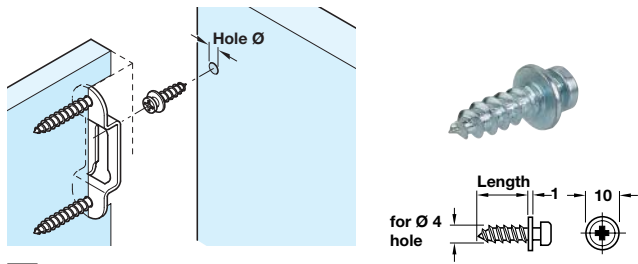


Mod-eez® Modular knock down fittings

- Retaining screws
- Galvanized steel
- Refer to page 51 for Modular plates

Single-sided installation in wood



A Modular screw

- Collared
- For use with **11-13 mm** wide Modular plates
- For single sided installation in **wood**
- With woodscrew thread for installation in **Ø 4 mm** hole

| Length | Cat. No. |
|---------|------------|
| 12.5 mm | 262.47.978 |
| 16.0 mm | 262.47.987 |
| 25.0 mm | 262.47.996 |
| 32.0 mm | 262.47.870 |

Order qty: Multiples of 100 pcs

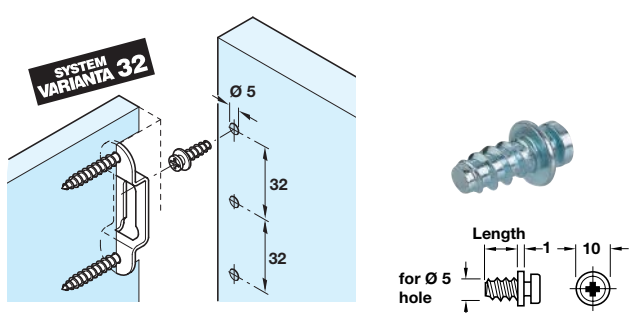
B Modular screw

- Collared
- For use with **16 mm** wide Modular plates
- For single sided installation in **wood**
- With woodscrew thread for installation in **Ø 5 mm** hole

| Length | Cat. No. |
|---------|------------|
| 16.0 mm | 262.47.889 |
| 32.0 mm | 262.47.898 |

Order qty: Multiples of 100 pcs

Single-sided installation in wood



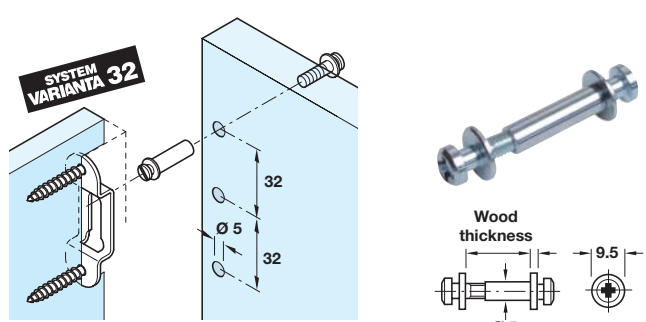
C Modular screw

- Collared
- For use with **11-13 mm** wide Modular plates
- For single sided installation in **wood**
- With special thread for installation in **Ø 5 mm series-drilled holes**

| Length | Cat. No. |
|---------|------------|
| 12.7 mm | 262.47.807 |

Order qty: Multiples of 100 pcs

Double-sided installation in wood



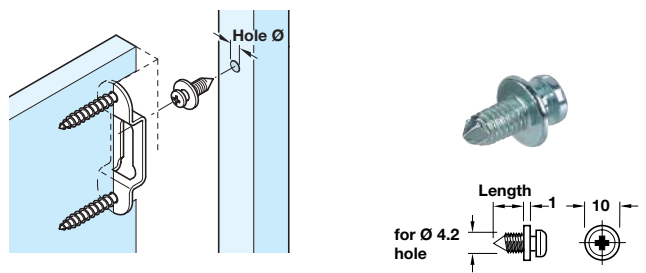
D Modular screw

- Collared
- For use with **10-13 mm** wide Modular plates
- For double sided installation in **wood**
- With M4 thread, for insertion through **Ø 5 mm series-drilled holes**

| For wood thickness | Cat. No. |
|--------------------|------------|
| 18-21 mm | 262.47.952 |

Order qty: Multiples of 100 pcs

Installation in metal



E Modular screw

- Collared
- For use with **10-13 mm** wide Modular plates
- For installation in **metal**
- With self-tapping thread for installation in **Ø 4.2 mm** hole

| Length | Cat. No. |
|--------|------------|
| 9.5 mm | 262.47.969 |

Order qty: Multiples of 100 pcs

F Modular screw

- Collared
- For use with **16 mm** wide Modular plates
- For installation in **metal**
- With self-tapping thread for installation in **Ø 5.2 mm** hole

| Length | Cat. No. |
|---------|------------|
| 11.0 mm | 262.47.861 |

Order qty: Multiples of 100 pcs