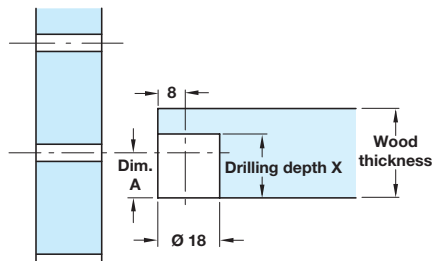
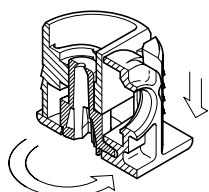


- **TAB V shelf connector**
- Excellent angular rigidity and pull-out resistance
- Pulls shelf onto side panel
- Locks shelf to side panel and prevents tipping
- Boss inserts lie flush, allowing shelves to be stacked



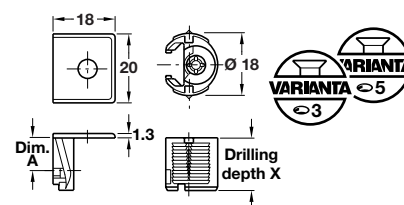
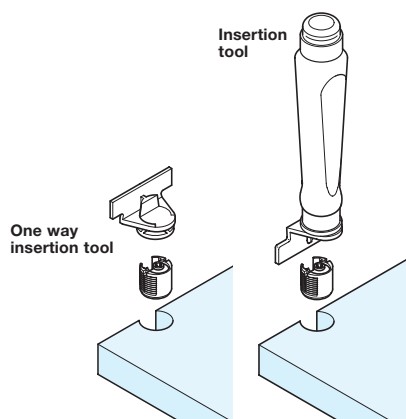
**Drilling depth X** = depending on housing type and wood thickness (see ordering table)

**Dimension A** = 1/2 wood thickness (see ordering table)



TAB V shelf connectors consisting of: support and boss insert with tensioning element

- **Insertion tool**
- For easy and precise insertion of boss inserts
- The tools incorporate a special recess to accommodate the boss insert
- Once the tool has been aligned parallel to the edge of the cabinet, the boss insert is installed with light hammer blows

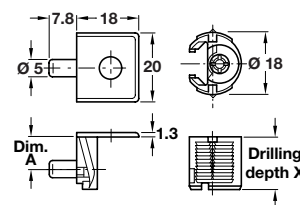


### A TAB V shelf connector, screw fixing

- Screw mounted into  $\text{Ø } 3$  or  $5$  mm holes
- Zinc alloy support
- Plastic boss insert with zinc alloy tensioner
- For wood thicknesses from 16-19 mm

For wood thicknesses from	Dim. A	Drilling depth X	Cat. No. Nickel-plated
16 mm	8.0 mm	13.0 mm	263.66.530
19 mm	9.5 mm	15.0 mm	263.66.558*

Order qty: Multiples of 100/50\* pcs



### B TAB V shelf connector, plug-fit

- Plug-fit into  $\text{Ø } 5$  mm holes
- Zinc alloy support
- Plastic boss insert with zinc alloy tensioner
- For wood thicknesses from 16-19 mm

For wood thicknesses from	Dim. A	Drilling depth X	Cat. No. Nickel-plated
16 mm	8.0 mm	13.0 mm	263.67.537
19 mm	9.5 mm	15.0 mm	263.67.555

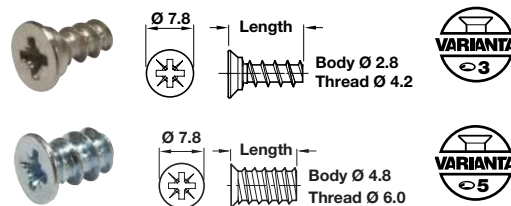
Order qty: 100 pcs

### C Varianta screw, countersunk head

- For  $\text{Ø } 3$  or  $\text{Ø } 5$  mm hole
- With PZ2 cross-slot
- Steel

Finish	Galvanized	Nickel-plated
Length	Hole $\text{Ø } 3$ mm	Hole $\text{Ø } 5$ mm
10.5 mm	013.15.617	013.05.719
13.5 mm	013.15.626	340.29.724
16.0 mm	013.15.635	013.15.733

Order qty: Multiples of 100 pcs



### D Insertion tool

- For shelf connector: Hardwood handle with steel ring reinforcement, plastic mount to accommodate boss insert
- One way insertion tool, black plastic

Insertion tool	For shelf connectors	One way
Cat. No.	001.32.749	001.32.758*

Order qty: 1 pc or multiples of 100 pcs\*

