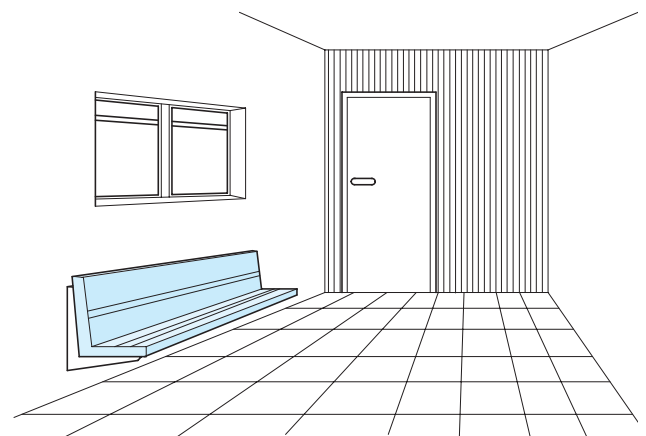
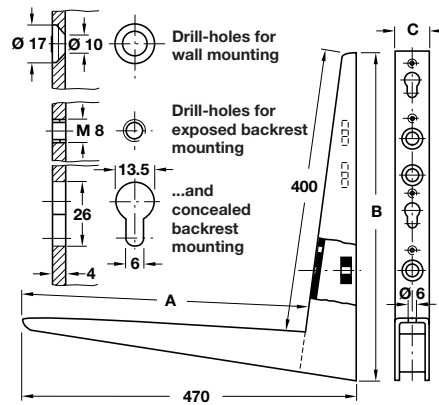
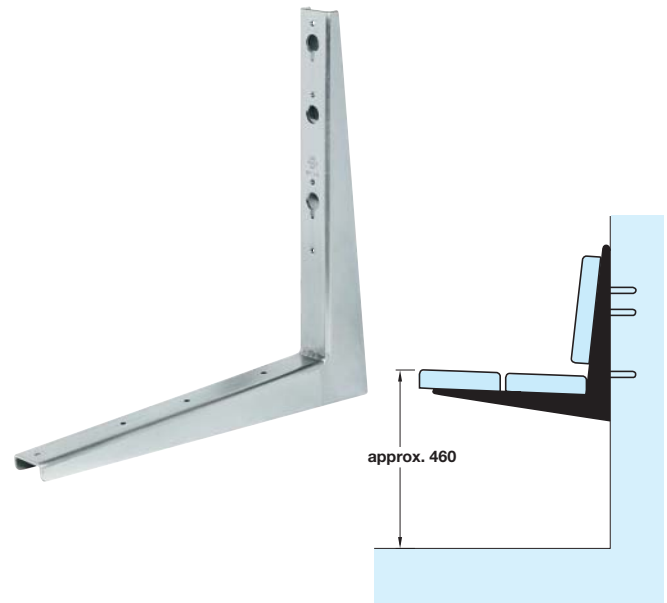


**A** Hebgo fixed bracket

- Suitable for tables and bench seats
- Load carrying capacity **150 kg** per pair
- Grey primed steel

Dimensions					Cat. No.
A	B	C	D	E	
200 mm	80 mm	46 mm	Ø 7.3 mm	Ø 4.5 mm	287.44.416
240 mm	80 mm	46 mm	Ø 7.3 mm	Ø 4.5 mm	287.44.425
280 mm	100 mm	53 mm	Ø 7.3 mm	Ø 5.5 mm	287.44.434
330 mm	100 mm	53 mm	Ø 7.3 mm	Ø 5.5 mm	287.44.443
380 mm	130 mm	65 mm	Ø 10.0 mm	Ø 5.5 mm	287.44.452
480 mm	130 mm	65 mm	Ø 10.5 mm	Ø 5.5 mm	287.44.461
580 mm	170 mm	82 mm	Ø 10.5 mm	Ø 5.5 mm	287.44.470
680 mm	170 mm	82 mm	Ø 10.5 mm	Ø 5.5 mm	287.44.489

Order qty: 1 pc (1 pc = 1 bracket)



**B** Hebgo fixed bench bracket

- For direct wall mounting using screws and plugs
- Load carrying capacity **500 kg** per pair
- Bright galvanized steel
- **Punch tool** included
- Provides for the accurate marking of drilling centres for the backrest
- Detailed mounting instructions are included in every pack



Dim. A	Dim. B	Dim. C	Cat. No.
410 mm	460 mm	48 mm	287.47.971

Order qty: 1 pc (1 pc = 1 bracket)

TCH 2013, © Häfele U.K. Ltd 2013. Dimensional data not binding. We reserve the right to alter specifications without notice.