

BS EN 1935

4	7	5	1	1	4	0	13
---	---	---	---	---	---	---	----

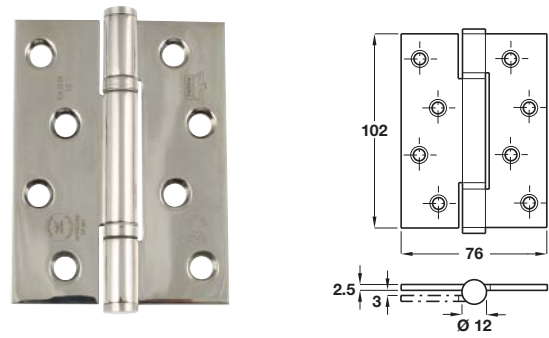
HI-LOAD Steel 3 knuckle fixed pin butt hinge

- Grade 13 BS EN 1935
- Maximum adjusted door weight 120 kg
- Minimum door thickness 44 mm
- Square and radius corners
- 25 year performance guarantee
- Certifire CF209 approved for fire doors
- M5 x 30 mm wood screws included
- Maintenance free carbon steel/bronze flanged bushes
- Mild steel



Length x width	100 x 88 mm	
Finish	Bright zinc	Electro brass
Square corners	926.88.005	926.88.009
Radius corners	926.88.235	-

Order qty: 1 pc



BS EN 1935

4	7	5	1	1	0	0	12
---	---	---	---	---	---	---	----

Phoenix Mild steel, fixed pin, 3 knuckle, shrouded bearing butt hinge

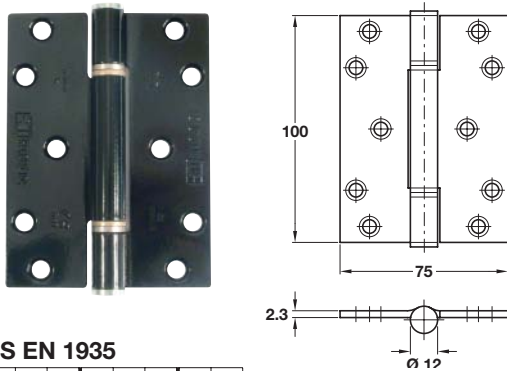
- Grade 12 BS EN 1935
- Maximum adjusted door weight 100 kg
- Minimum door thickness 44 mm
- Maintenance free
- 25 year performance guarantee
- Certifire approved; certificate no. CF351 mins
- Suitable for use on FD30 and FD60 fire doors
- 3 knuckle hinge with fixed pin and shrouded bearings
- Ø 5 x 30 mm wood screws included
- Mild steel



Length x width	102 x 76 mm		
Finish	Polished chrome	Satin nickel	Zinc-plated
Cat. No.	926.91.462	926.91.466	926.91.469

Order qty: 1 pc

TCH 2013. © Häfele U.K. Ltd 2013. Dimensional data not binding. We reserve the right to alter specifications without notice.



BS EN 1935

3	7	4	1	1	1	0	11
---	---	---	---	---	---	---	----

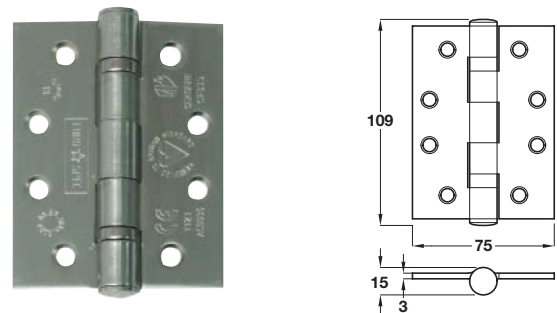
HI-LOAD Steel 3 knuckle fixed pin colour coated butt hinge

- Grade 11 BS EN 1935
- Maximum adjusted door weight 80 kg
- Minimum door thickness 35 mm
- 25 year performance guarantee
- Certifire CF209 approved for fire doors
- M5 x 30 mm wood screws included
- Maintenance free carbon steel/bronze flanged bushes
- Mild steel, colour coated



Length x width	100 x 75 mm	
Finish	Black	White
Cat. No.	926.88.113	926.88.119

Order qty: 1 pc



BS EN 1935

4	7	6	1	1	3	0	13
---	---	---	---	---	---	---	----

Steel butt hinge

- Grade 13 BS EN 1935
- Maximum adjusted door weight 120 kg
- Minimum door thickness 35 mm
- **For internal applications only**
- Ball bearing
- Fixing screws included
- Mild steel



Length x width	102 x 75 mm	
Finish	Bright zinc-plated	
Cat. No.	926.68.029	

Order qty: 1 pc