

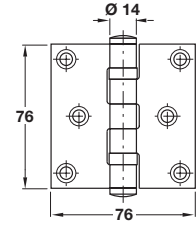
**Häfele Stainless steel washed butt hinge**

- ANSI hole pattern
- Maximum adjusted door weight 25 kg
- Minimum door thickness 35 mm
- Square corners
- Stainless steel washers to each joint
- Grade 304 stainless steel



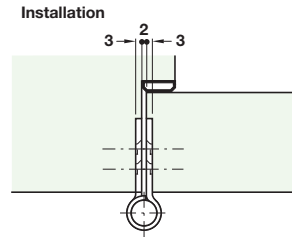
Length x width	<b>76 x 52 mm</b>
Finish	Cat. No.
Satin stainless steel	926.27.903

Order qty: 1 pc



**BS EN 1935**

4	7	6	1	1	4	0	11
---	---	---	---	---	---	---	----



**StarTec Stainless steel 2BB butt hinge**

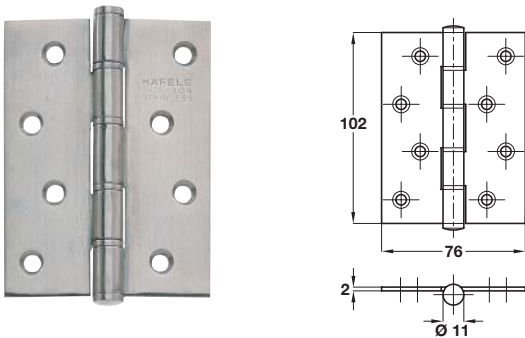
- Staggered hole pattern
- Grade 11 BS EN 1935
- DoP No.: 926.33.A
- Max. adjusted door weight 120 kg
- Minimum door thickness 35 mm
- Square corners
- Knuckle with two ball bearings and fixed pin
- Grade 201 stainless steel



Length x width	<b>76 x 76 mm</b>
Finish	Cat. No.
Matt	926.33.003

Order qty: 1 pc

Architectural Ironmongery: Hinges



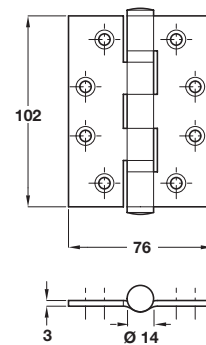
**Häfele Stainless steel washed butt hinge**

- Staggered hole pattern
- Maximum adjusted door weight 40 kg
- Minimum door thickness 35 mm
- Square corners
- Stainless steel washers to each joint
- Grade 304 stainless steel



Length x width	<b>102 x 76 mm</b>
Finish	Cat. No.
Satin stainless steel	921.17.005

Order qty: 1 pc



**BS EN 1935**

4	7	6	1	1	4	0	13
---	---	---	---	---	---	---	----

**StarTec Butt hinge**

- ANSI hole pattern
- Grade 13 BS EN 1935
- DoP No.: 926.33.B
- Max. adjusted door weight 120 kg
- Minimum door thickness 35 mm
- Square corners
- Knuckle with two ball bearings and fixed pin
- Grade 201 stainless steel



Length x width	<b>102 x 76 mm</b>
Finish	Cat. No.
Matt	926.90.227

Order qty: 1 pc

TCH 2013, © Häfele U.K. Ltd 2013. Dimensional data not binding. We reserve the right to alter specifications without notice.