

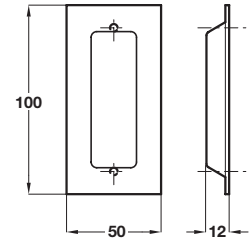
Flush pull handle, stainless steel

- Secret fixing
- Stainless steel



Finish	Cat. No.
Satin stainless steel	902.00.520
Polished stainless steel	902.00.521

Order qty: 1 pc



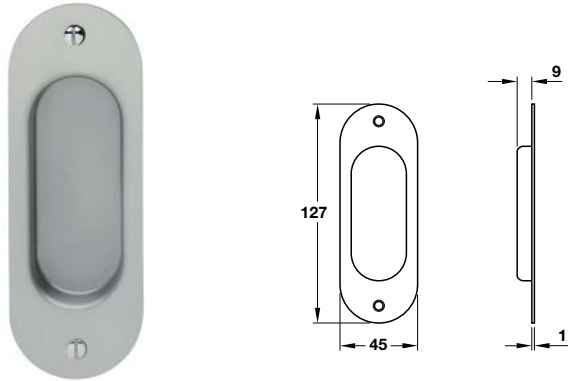
Flush pull handle, stainless steel

- Concealed fixing
- Suitable for sliding and folding timber doors
- Stainless steel



Finish	Cat.No.
Satin	902.01.270
Polished stainless steel	902.01.271

Order qty: 1 pc



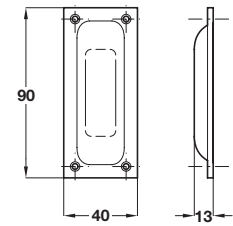
Flush pull handle, stainless steel

- Suitable for sliding timber doors
- Stainless steel



Finish	Cat. No.
Satin stainless steel	902.04.300

Order qty: 1 pc



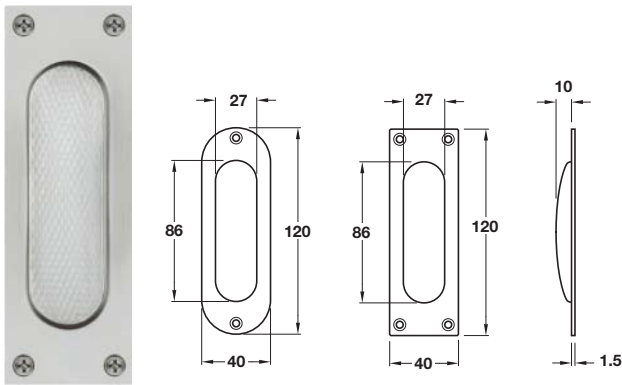
Flush pull handle, aluminium

- Suitable for timber sliding doors
- Anodised aluminium



Finish	Cat. No.
Satin	904.00.001

Order qty: 1 pc



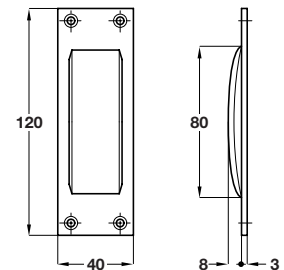
StarTec Flush pull handle, stainless steel or aluminium

- Radius or square corners
- Stainless steel or anodised aluminium



Finish	Radius corners	Square corners
Satin stainless steel	902.00.800	902.00.802
Silver anodised aluminium	-	904.02.301

Order qty: 1 pc



Flush pull handle, aluminium

- Suitable for timber sliding doors
- Aluminium



Finish	Cat. No.
Nickel silver colour anodised	904.03.302
Gold anodised	904.03.303

Order qty: 1 pc

5

Architectural Ironmongery: Door Furniture