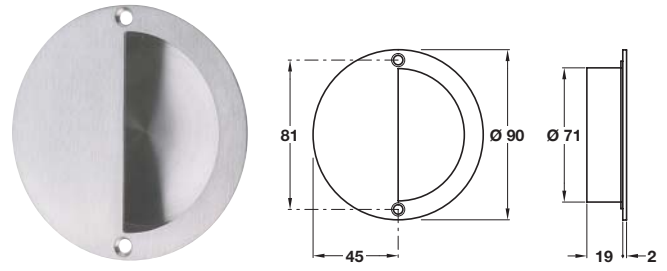


Flush pull handle, stainless steel

- Suitable for use on swing and sliding timber doors
- Fixings are not included
- Grade 316 stainless steel
- Other finishes available to order, subject to quantity

Finish	Cat. No.
Satin stainless steel	910.37.100

Order qty: 1 pc (1 pc required per panel)



Flush pull handle, stainless steel

- Suitable for use on swing and sliding timber doors
- Grade 316 stainless steel

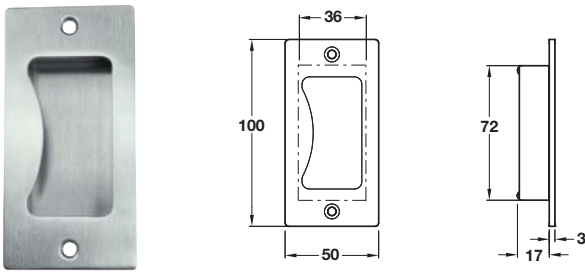


Finish	Cat. No.
Satin stainless steel	902.00.500
Polished stainless steel	902.00.501

Order qty: 1 pc

5

Architectural Ironmongery: Door Furniture



Flush pull handle, stainless steel

- Suitable for use on sliding timber doors
- Grade 316 stainless steel
- Other finishes available to order, subject to quantity



Finish	Cat. No.
Satin stainless steel	902.00.570

Order qty: 1 pc

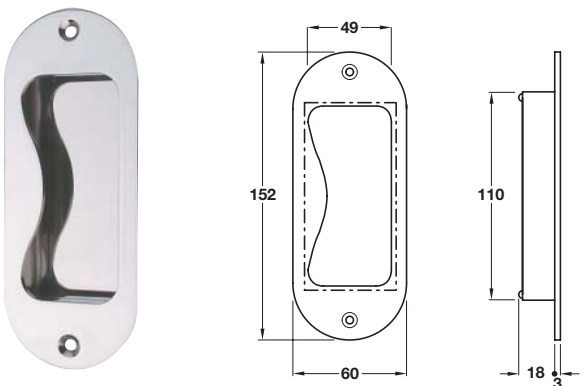


StarTec Flush pull handle, stainless steel

- Installation is by push fit
- Stainless steel

Finish	Cat. No.
Satin stainless steel	902.01.250

Order qty: 1 pc



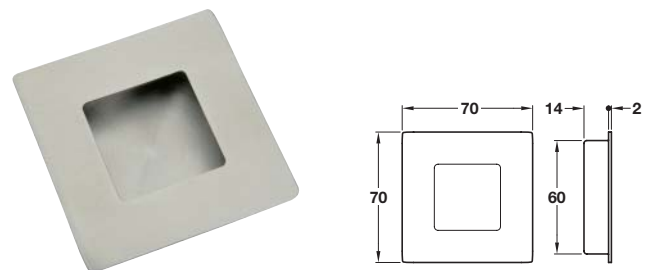
Flush pull handle, stainless steel

- Suitable for use on swing and sliding timber doors
- Grade 316 stainless steel



Finish	Cat. No.
Satin stainless steel	902.04.320
Polished stainless steel	902.04.321

Order qty: 1 pc



StarTec Flush pull handle, stainless steel

- Suitable for use on sliding timber doors
- Stainless steel



Finish	Cat. No.
Satin stainless steel	902.01.260

Order qty: 1 pc

TCH 2013, © Häfele U.K. Ltd 2013. Dimensional data not binding. We reserve the right to alter specifications without notice.