

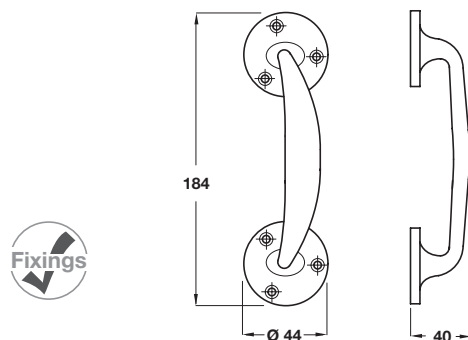
Due to the manufacturing process of this product there is a **±3 mm tolerance** on dimensions shown.

Ø 19 mm round section pull handle

- Single pull handle
- Bolt through fixing
- M8 through fixing bolts included
- To suit doors **up to 54 mm** thick
- Brass

| Finish | Cat. No. |
|-----------------|------------|
| Polished brass | 901.01.381 |
| Polished chrome | 901.01.382 |

Order qty: 1 pc

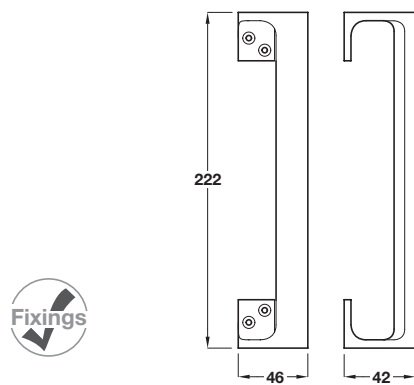


Traditional pull handle

- Single pull handle
- Face fixing
- Brass

| Finish | Cat. No. |
|---------------------|------------|
| Polished brass | 901.04.511 |
| Satin nickel plated | 901.04.611 |
| Rustic bronze | 901.04.711 |

Order qty: 1 pc



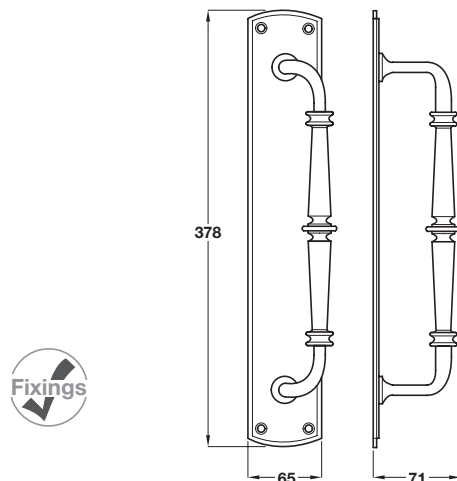
Due to the manufacturing process of this product there is a **±3 mm tolerance** on dimensions shown.

Cranked pull handle

- Face fixing
- Brass

| Finish | Cat. No. |
|-----------------|------------|
| Polished brass | 901.01.371 |
| Polished chrome | 901.01.372 |

Order qty: 1 pc



Matching push plate is shown on page 66, **Cat. No. 987.19.208**

Traditional pull handle

- Single pull handle on plate
- Face fixing
- Brass

| Finish | Cat. No. |
|----------------|------------|
| Polished brass | 901.03.368 |

Order qty: 1 pc

TCH 2013. © Häfele U.K. Ltd 2013. Dimensional data not binding. We reserve the right to alter specifications without notice.