

**SNOWDON/BEN NEVIS round section pull handle, bolt through fixing**

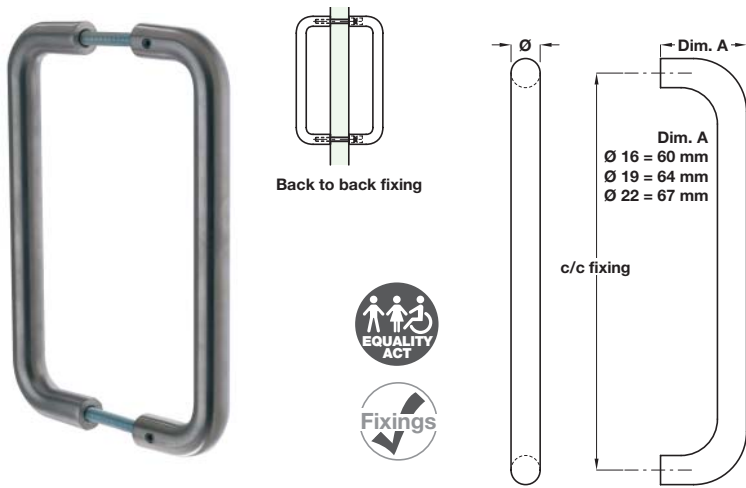
- Single pull handle
- To suit doors **up to 54 mm** thick
- 316 stainless steel

Ø (mm)	Ø 16	Ø 19	Ø 22
Hole centres	M6	M8	M8
150 mm	903.09.160	903.09.190	-
225 mm	903.09.260	903.09.290	903.09.220
300 mm	903.09.360	903.09.390	903.09.320
425 mm	903.09.460	903.09.490	903.09.420
650 mm	-	903.09.060	903.09.020

Order qty: 1 pc

5

Architectural Ironmongery: Door Furniture

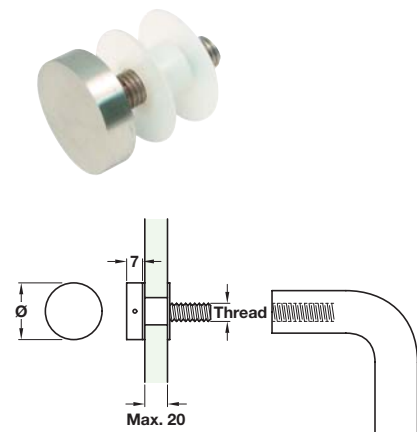


**SNOWDON/BEN NEVIS round section pull handle, back to back fixing**

- Pair of pull handles
- To suit doors **up to 54 mm** thick
- 316 stainless steel

Ø (mm)	Ø 16	Ø 19	Ø 22
Hole centres	M6	M8	M8
150 mm	903.10.160	903.10.190	-
225 mm	903.10.260	903.10.290	903.10.220
300 mm	903.10.360	903.10.390	903.10.320
425 mm	903.10.460	903.10.490	903.10.420
650 mm	-	903.10.060	903.10.020

Order qty: 1 pair

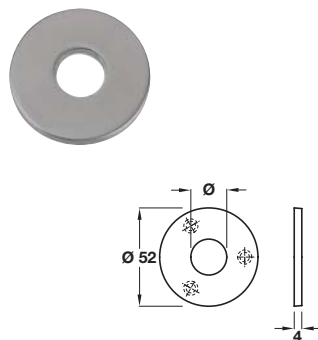


**Single sided fixing bolt**

- To suit Snowden and Pyrenean pull handles
- For one sided handle fixing on glass doors
- To suit glass doors **8-20 mm** thick
- Ø 13 mm hole required
- Satin stainless steel cap and nylon washers

Cap Ø / Thread	Cat. No.
Ø 16 mm / M6	903.09.980
Ø 19 mm / M8	903.09.982
Ø 22 mm / M8	903.09.984

Order qty: 1 set (= 2 pcs)

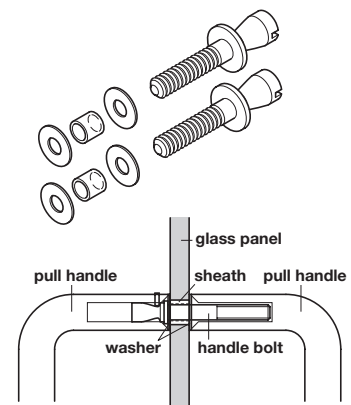


**Face fixing roses**

- To suit Snowden and Pyrenean pull handles
- Ø 52 mm concealed fixing
- Satin stainless steel

Ø	Cat. No.
Ø 16 mm	903.50.960
Ø 19 mm	903.50.990
Ø 22 mm	903.50.920

Order qty: 1 pair



**Glass door fixing set**

- To convert back to back fixing pull handles to glass door fixing
- Set includes pair of nylon sheaths, 4x nylon washers and special M8 or M6 fixing bolts
- To suit doors **8-18 mm** thick
- Ø 13 mm hole required

For pull handle	Fixing bolts	Cat. No.
Ø 16 mm	M6	909.00.920
Ø 19 mm	M8	909.00.900
Ø 22 mm	M8	909.00.921

Order qty: 1 set

TCH 2013; © Häfele U.K. Ltd 2013. Dimensional data not binding. We reserve the right to alter specifications without notice.