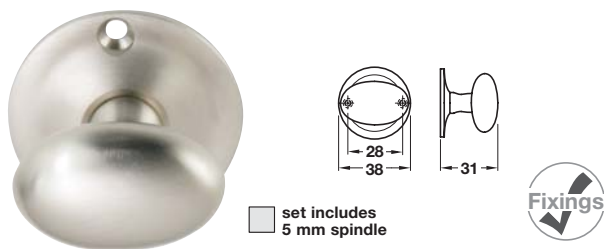


For 5 to 8 mm spindle adaptor, see page 27



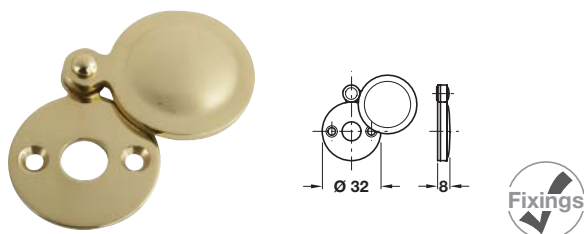
set includes 5 mm spindle

Plain inside thumbturn

- For use with release escutcheon shown below
- 5 mm square spindle with emergency slot
- Key included
- Brass

Finish	Cat. No.
Polished brass	901.53.401
Satin nickel	901.53.406

Order qty: 1 pc

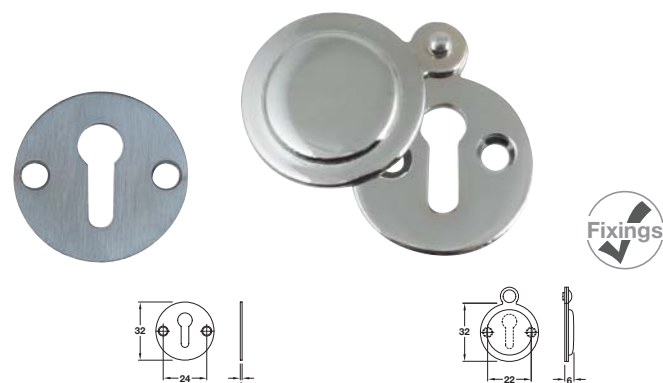


Plain covered release escutcheon

- For use with plain inside thumbturn shown above
- Brass

Finish	Cat. No.
Polished brass	901.53.501
Satin nickel	901.53.506
Polished chrome	901.53.502

Order qty: 1 pc

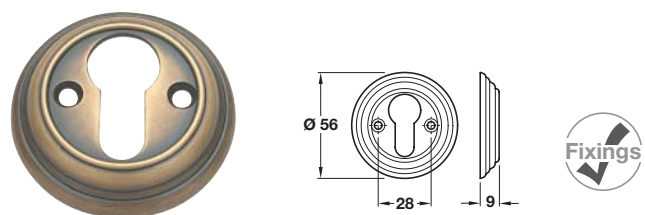


Standard keyway escutcheon, with or without cover

- Brass

Finish	Open design	Swing cover
Polished brass	900.52.751	900.52.741
Satin chrome	900.52.754	900.52.744
Polished chrome	900.52.752	900.52.742

Order qty: 1 pc

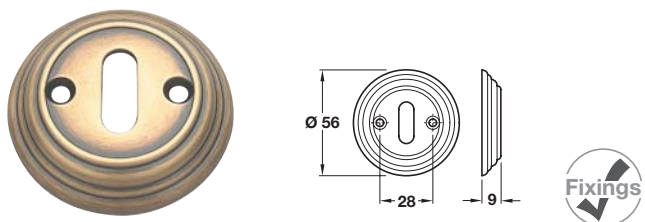


Plain escutcheon, profile cylinder

- Brass

Finish	Cat. No.
Polished brass	900.52.908
Satin chrome	900.52.904
Polished chrome	900.52.902
Florentine bronze	900.52.901

Order qty: 1 pc

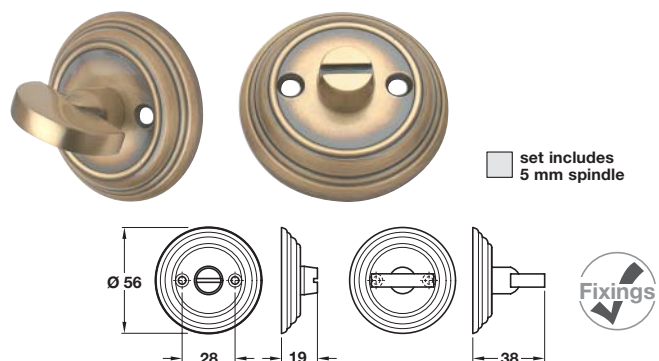


Plain escutcheon, standard keyway

- Brass

Finish	Cat. No.
Polished brass	900.51.908
Satin chrome	900.51.904
Polished chrome	900.51.902
Florentine bronze	900.51.901

Order qty: 1 pc



Plain emergency release and inside turn

- 5 mm spindle included
- To suit doors up to 44 mm thick
- Brass

Finish	Cat. No.
Polished brass	900.53.908
Satin chrome	900.53.904
Polished chrome	900.53.902
Florentine bronze	900.53.901

Order qty: 1 set

TCH 2013. © Häfele U.K. Ltd 2013. Dimensional data not binding. We reserve the right to alter specifications without notice.