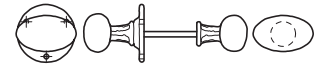
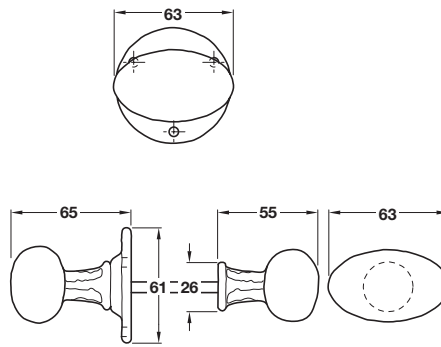


Kirkpatrick oval door knob, mortice

- Pair of oval knobs on roses
- Grub screw fixing on 8 mm Pitts spindle
- Unsprung, for use with heavy duty followers
- To suit doors **35-54 mm** thick
- Cast iron

Finish	Cat. No.
Black antique	911.64.206
Pewter	911.64.308

Order qty: 1 pair



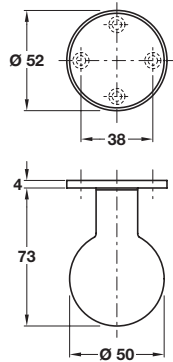
Kirkpatrick oval door knob, rim

- Pair of oval knobs on roses
- Grub screw fixing on 8 mm Pitts spindle
- Unsprung, for use with heavy duty followers
- To suit doors **35-54 mm** thick
- Cast iron

Finish	Cat. No.
Black antique	911.64.207
Pewter	911.64.309

Order qty: 1 pair

Due to the manufacturing process of Kirkpatrick products there is a **±5 mm tolerance** on dimensions shown.



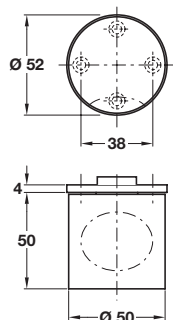
FSB stainless steel door knobs are shown on page 56

Spherical door knobs, Ø 50 mm

- Pair of knobs and roses
- Grub screw fixing on 8 mm square spindle
- Unsprung, for use with heavy duty followers
- To suit doors **35-54 mm** thick
- 316 stainless steel

Finish	Cat. No.
Satin stainless steel	903.70.702

Order qty: 1 pair



Cylindrical door knob, Ø 50 mm

- Pair of knobs and roses
- Grub screw fixing on 8 mm square spindle
- Unsprung, for use with heavy duty followers
- To suit doors **35-54 mm** thick
- 316 stainless steel

Finish	Cat. No.
Satin stainless steel	903.70.704

Order qty: 1 pair