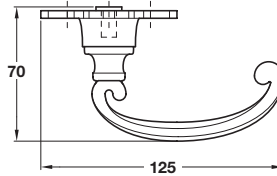
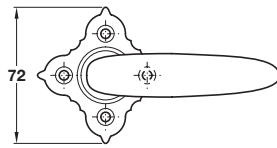
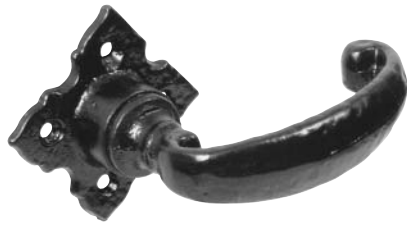


Due to the manufacturing process of these products there is a **±5 mm tolerance** on dimensions shown.



Kirkpatrick traditional lever handles

- Pair of lever handles on backplates
- 8 mm square Pitts spindle
- Sprung, for use with standard duty followers
- To suit doors **35-54 mm** thick
- Malleable iron

Finish	Cat. No.
Black antique	900.21.703

Order qty: 1 pair

5

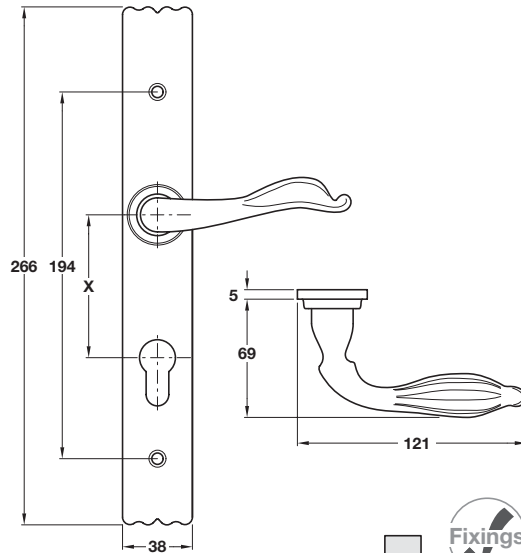
Architectural Ironmongery: Door Furniture



Backplates for Euro profile cylinder lock



Backplates for multi-point lock



Other lever handles on plates with 92 mm lock centres, suitable for **multi-point locks** are shown on page **45**

Kirkpatrick traditional lever handles on plate

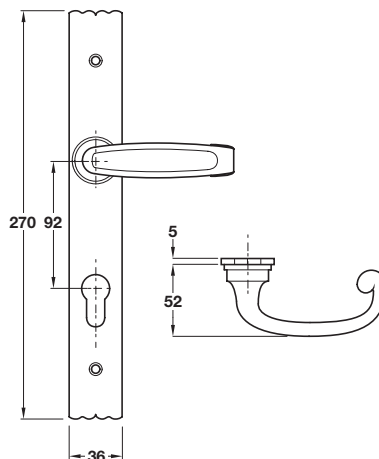
- Pair of lever handles on face fixing narrow profile cylinder lock backplates
- 8 mm square Pitts spindle
- Unsprung, for use with heavy duty followers
- To suit doors **35-54 / 44-54 mm** thick
- Malleable iron, black antique finish

Backplates	Cat. No.
For cylinder profile lock	
To suit doors 35-54 mm thick	901.99.703
For multi-point lock	
To suit doors 44-54 mm thick	901.99.282

Order qty: 1 pair



Backplates for multi-point lock



Kirkpatrick Traditional lever handle handles on plate

- Pair of lever handles on face fixing narrow profile cylinder lock backplates
- 8 mm square Pitts spindle
- Unsprung, for use with heavy duty followers
- To suit doors **44-54 mm** thick
- Malleable iron, black antique finish

Backplates	Cat. No.
For multi-point lock	901.98.319

Order qty: 1 pair

TCH 2013, © Häfele U.K. Ltd 2013. Dimensional data not binding. We reserve the right to alter specifications without notice.