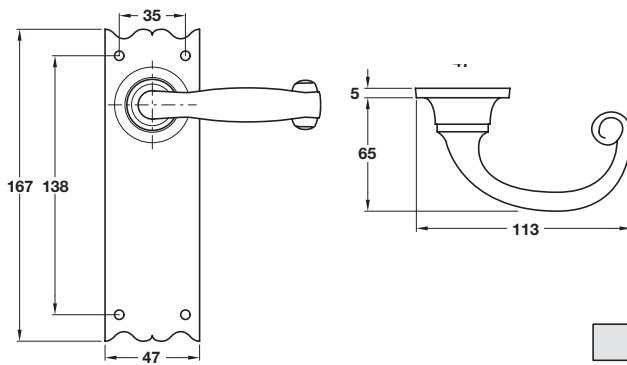


Due to the manufacturing process of these products there is a ± 5 mm tolerance on dimensions shown.



Kirkpatrick traditional lever handles

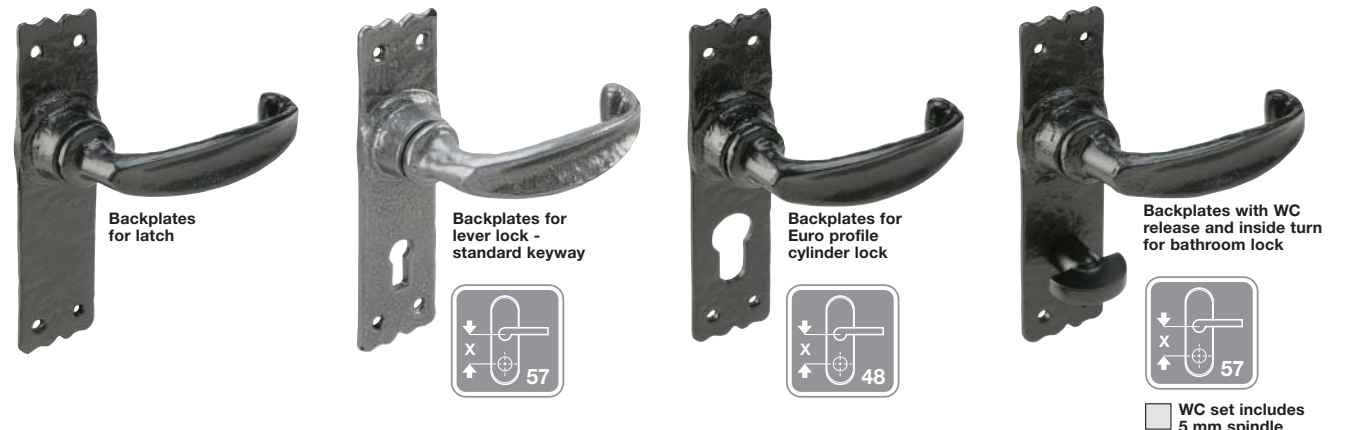
- Pair of lever handles on backplates
- 8 mm square Pitts spindle
- Sprung, for use with standard duty followers
- To suit doors **35-54 mm** thick
- Malleable iron

Finish	Black	Pewter
For latch		
Cat. No.	901.99.663	901.99.140
For lever lock		
Cat. No.	901.99.673	901.99.150
For profile cylinder lock		
Cat. No.	901.99.693	901.99.160
For bathroom lock*		
Cat. No.	901.99.683	901.99.170

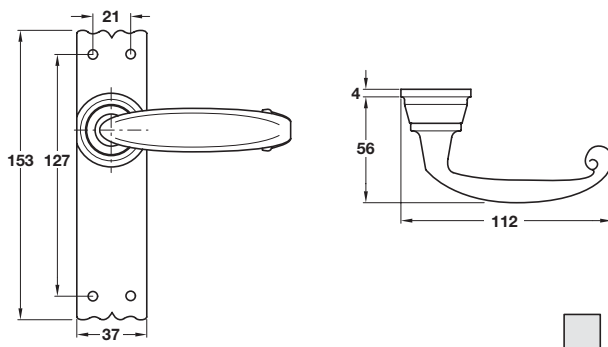
Order qty: 1 pair (*set)

5

Architectural Ironmongery: Door Furniture



Due to the manufacturing process of these products there is a ± 5 mm tolerance on dimensions shown.



Kirkpatrick traditional lever handles

- Pair of lever handles on backplates
- 8 mm square Pitts spindle
- Sprung, for use with standard duty followers
- To suit doors **35-54 mm** thick
- Malleable iron

Finish	Black	Pewter
For latch		
Cat. No.	901.99.173	901.99.176
For lever lock		
Cat. No.	901.99.183	901.99.186
For profile cylinder lock		
Cat. No.	901.99.193	901.99.196
For bathroom lock*		
Cat. No.	901.99.293	901.99.296

Order qty: 1 pair (*set)

TCH 2013, © Häfele U.K. Ltd 2013. Dimensional data not binding. We reserve the right to alter specifications without notice.