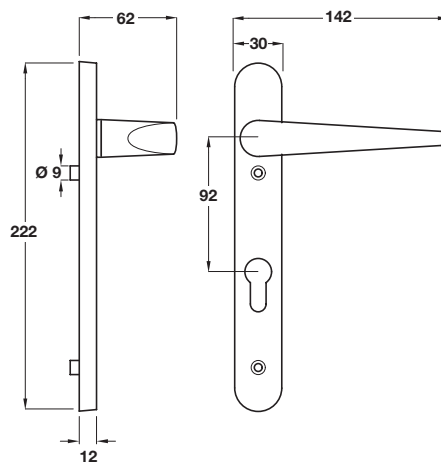
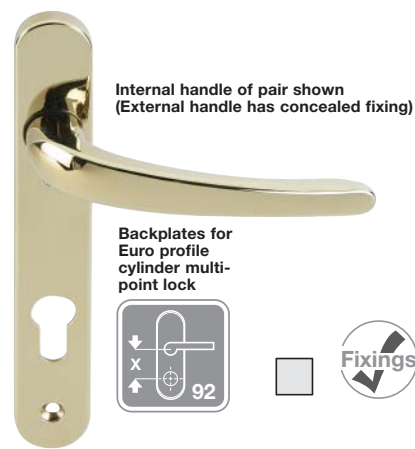


Multipoint lever handles on plate

- Pair of lever handles on profile cylinder lock backplates, designed to suit multipoint locks with 92 mm lock centres
- Fixings and 8 mm spindle included
- Unprung, for use with heavy duty followers
- To suit doors **44-54 mm** thick
- Satin stainless steel

Handed	Cat. No.
Right	903.98.441
Left	903.98.541

Order qty: 1 pair

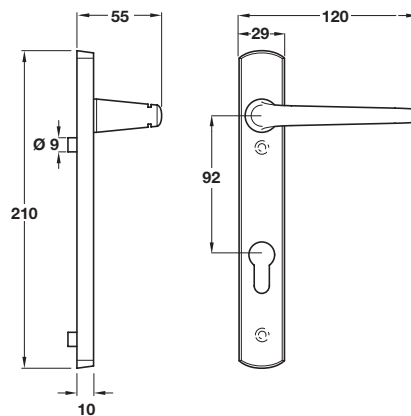


Multipoint lever handles on plate

- Pair of lever handles on profile cylinder lock backplates, designed to suit multipoint locks with 92 mm lock centres
- Fixings and 8 mm spindle included
- Unprung, for use with heavy duty followers
- To suit doors **44-54 mm** thick
- Die cast zinc alloy

Finish	Cat. No.
White	901.80.817
Polished chrome	901.80.812
PVD polished gold	901.80.815

Order qty: 1 pair



Multipoint lever handles on plate

- Pair of lever handles on profile cylinder lock backplates, designed to suit multipoint locks with 92 mm lock centres
- Fixings and 8 mm spindle included
- Unprung, for use with heavy duty followers
- To suit doors **44-54 mm** thick
- Die cast zinc alloy

Finish	Cat. No.
Satin silver	901.80.826

Order qty: 1 pair



Multipoint locks are shown on pages 172-176.

TCH 2013, © Häfele U.K. Ltd 2013. Dimensional data not binding. We reserve the right to alter specifications without notice.