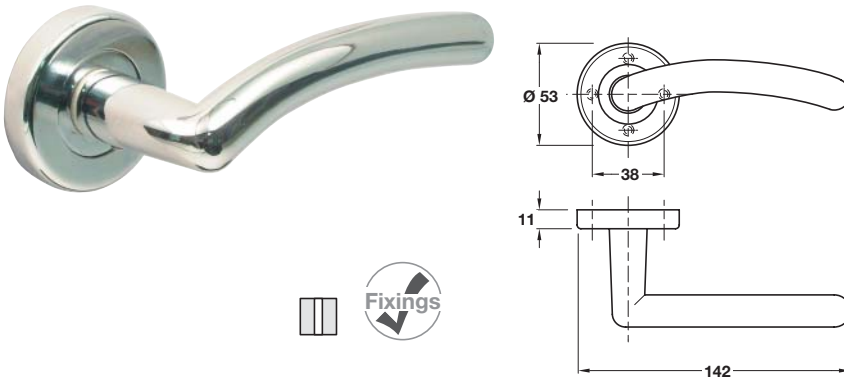


LENA lever handles

- Pair of lever handles and roses
- Grub screw fixing on 8 mm square spindle
- Sprung, for use with standard duty followers
- To suit doors **35-44 mm** thick
- Zinc alloy

Finish	Cat. No.
Polished/satin chrome	900.20.862

Order qty: 1 pair

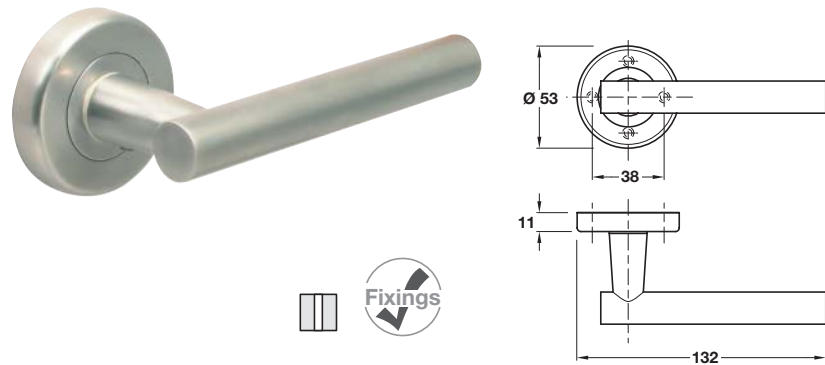


ICO lever handles

- Pair of lever handles and roses
- Grub screw fixing on 8 mm square spindle
- Sprung, for use with standard duty followers
- To suit doors **35-44 mm** thick
- Zinc alloy

Finish	Cat. No.
Satin chrome	900.20.884
Polished chrome	900.20.882

Order qty: 1 pair

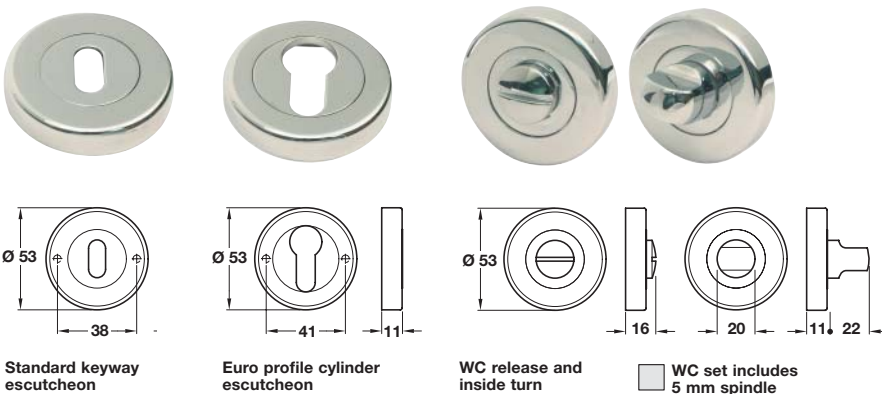


SHUTTLE lever handles

- Pair of lever handles and roses
- Grub screw fixing on 8 mm square spindle
- Sprung, for use with standard duty followers
- To suit doors **35-44 mm** thick
- Zinc alloy

Finish	Cat. No.
Satin chrome	900.20.894
Polished chrome	900.20.892

Order qty: 1 pair



Lever handle accessories

- **Escutcheons:** Fixings included
- **WC/emergency release and inside turn:**
To suit doors up to **44 mm** thick
5 mm spindle and fixings included
- Zinc alloy

Finish	Cat. No.
Standard keyway	
Polished chrome	900.51.942
Satin chrome	900.51.944
Polished/satin chrome	900.51.943
Euro profile keyway	
Polished chrome	900.52.942
Satin chrome	900.52.944
Polished/satin chrome	900.52.943
WC release and inside turn*	
Polished chrome	900.53.942
Satin chrome	900.53.944
Polished/satin chrome	900.53.943

Order qty: 1 pc (*set)

TCH 2013. © Häfele U.K. Ltd 2013. Dimensional data not binding. We reserve the right to alter specifications without notice.