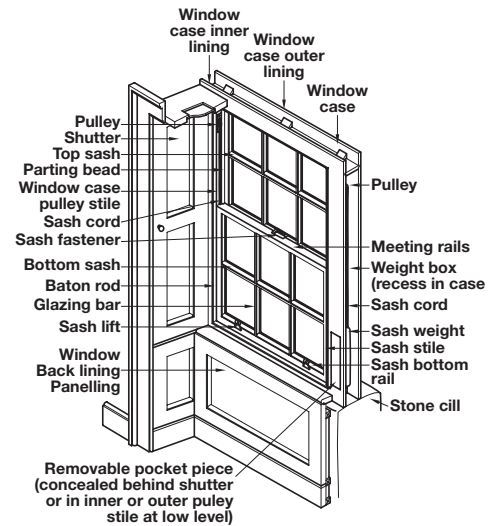
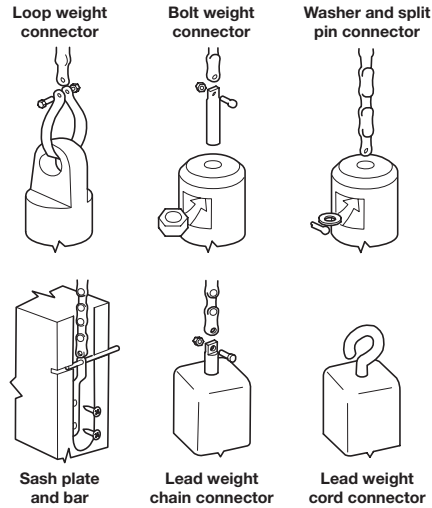
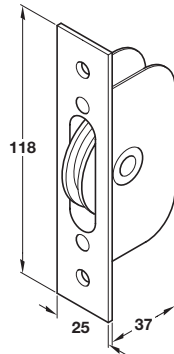


Sash weights and connectors

- Sash weights and connectors available to order
- Please state:**
 - 1-Cast iron or lead
 - 2-Weight of sash
 - 3-Size of box
 - 4-Heights of both sashes
 - 5-Type of connector



Square forend version shown



Axle bearing sash pulley

- Ø 45 mm brass wheel
- Two types of forend - square or radius
- Maximum sash weight 50 kg
- Stainless steel or brass face
- Galvanized steel frame

| Finish | Square forend | Radius forend |
|----------------|---------------|---------------|
| Polished brass | 971.00.008 | 971.00.018 |
| Satin chrome | 971.00.004 | 971.00.014 |

Order qty: 1 pc

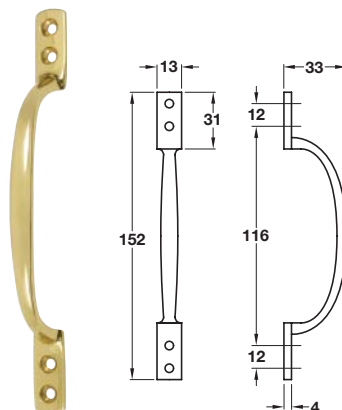
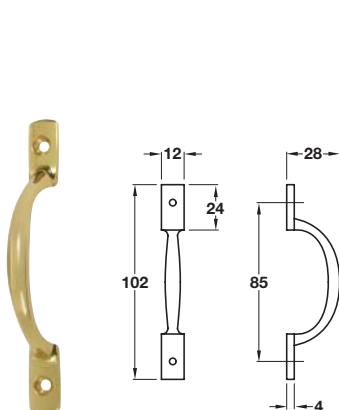
Sash cord

- 12.5 m length
- Two sizes available - type no. 4 (approx. Ø 7 mm) or no. 6 (approx. Ø 9 mm)
- Waxed cotton with polypropylene core



| Type | Breaking strength | Cat. No. |
|-------|-------------------|------------|
| No. 4 | 300 kg | 971.00.054 |
| No. 6 | 340 kg | 971.00.056 |

Order qty: 1 pc



Traditional sash pull handle

- Brass

| Finish | Cat. No. |
|----------------------|------------|
| 102 mm length | |
| Satin chrome | 970.30.824 |
| Polished chrome | 970.30.822 |
| Polished brass | 970.30.821 |
| 152 mm length | |
| Satin chrome | 970.30.834 |
| Polished chrome | 970.30.832 |
| Polished brass | 970.30.831 |

Order qty: 1 pc

TCH 2013, © Häfele U.K. Ltd 2013. Dimensional data not binding. We reserve the right to alter specifications without notice.