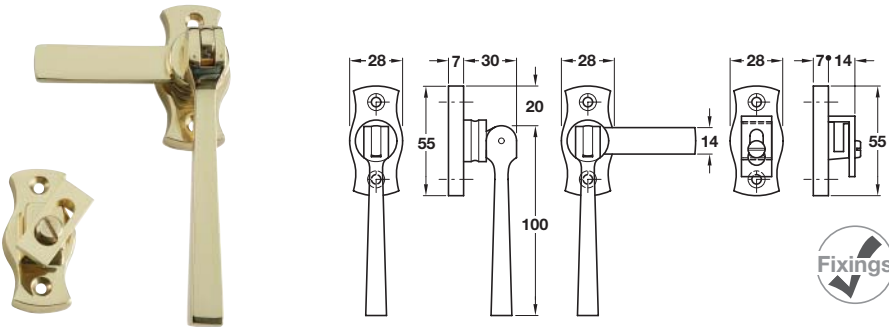


Telescopic friction stay

- Designed to suit open out windows
- Ball and socket joint ensures free movement during operation
- Friction adjustable by nut
- Brass

Finish	Cat. No.
Satin nickel	973.00.666
Polished chrome	973.00.662
Polished brass	973.00.668

Order qty: 1 pc

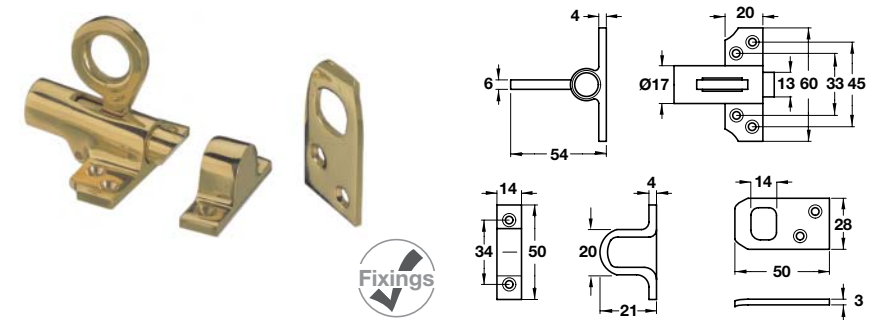


French window fastener

- Unhanded
- Lockable by snib
- Brass

	Cat. No.
French window fastener	970.03.348

Order qty: 1 pc

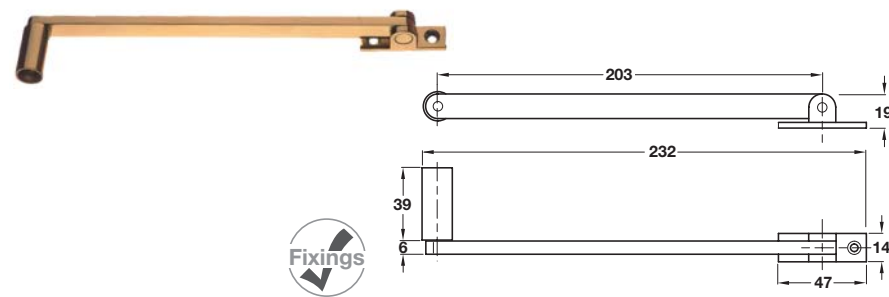


Fanlight catch

- Supplied with both box keeper and flat strike
- Operated by finger or pole hook
- Brass

Finish	Cat. No.
Satin nickel	970.02.336
Polished chrome	970.02.332
Polished brass	900.17.953

Order qty: 1 pc

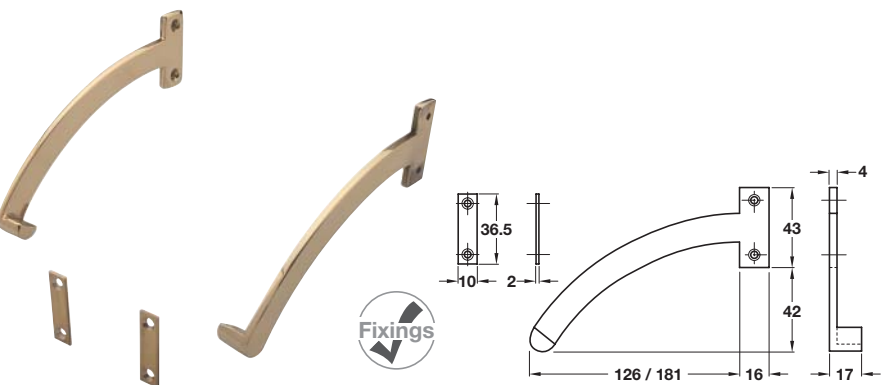


Roller stay

- Normally fixed in pairs, 2 pcs needed
- Brass

Finish	Cat. No.
Satin nickel	970.02.616
Polished chrome	970.02.612
Polished brass	900.17.964

Order qty: 1 pc (order 2 pcs per window)



Quadrant stay

- Supplied in pairs
- Strike plate included
- Brass

Finish	150 mm	203 mm
Satin nickel	970.02.626	970.02.636
Polished chrome	970.02.622	970.02.632
Polished brass	970.02.628	970.02.638

Order qty: 1 pair