

Due to the manufacturing process of Kirkpatrick products there is a ± 5 mm tolerance on dimensions shown.

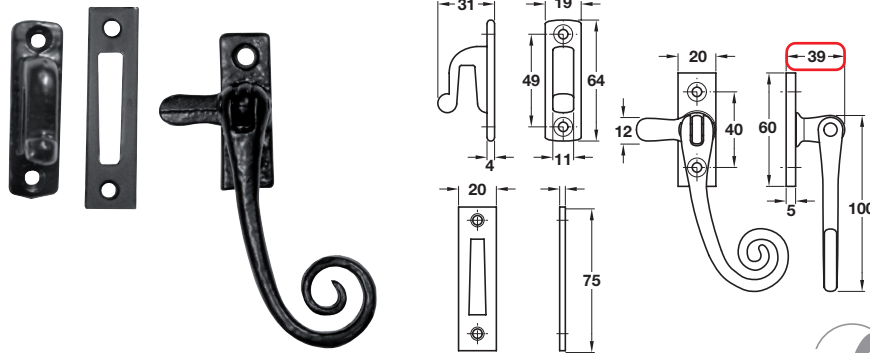
Catalogue shows 25 mm
Correct dimension is 39 mm

Kirkpatrick Casement fastener, with mortice and hook plate

- Reversible
- Choice of mortice or hook plated included:
Mortice plate; for standard rebated frames
Hook plate; for flush frames or double windows
- Matching stay shown below
- Powder coated malleable iron

| Finish | Cat. No. |
|--------------------------------------|------------|
| With mortice and hook plate included | |
| Black | 970.02.683 |
| Pewter | 970.02.689 |
| With mortice plate only included | |
| Black | 970.02.993 |

Order qty: 1 pc



5

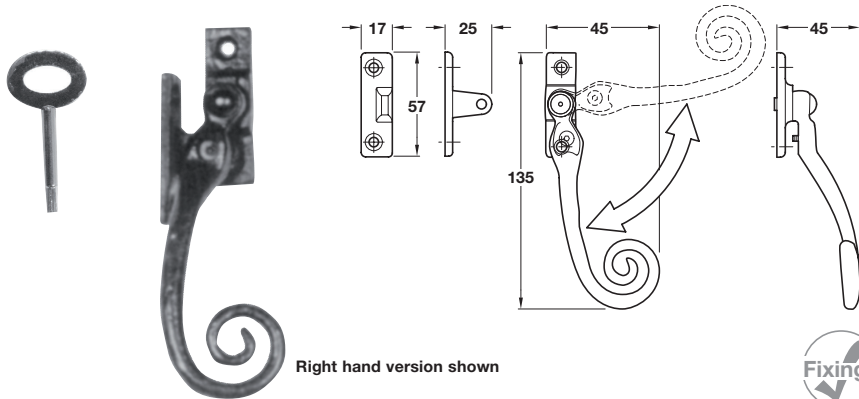
Architectural Ironmongery: Window Fittings

Kirkpatrick Casement fastener, wedge plate, locking

- Handed
- Wedge plate and key included
- Designed for use with standard rebated frames
- Matching stay shown below
- Powder coated malleable iron

| Finish | Left hand | Right hand |
|--------|------------|------------|
| Black | 911.59.139 | 911.59.180 |
| Pewter | 970.02.769 | 970.02.779 |

Order qty: 1 pc



Right hand version shown

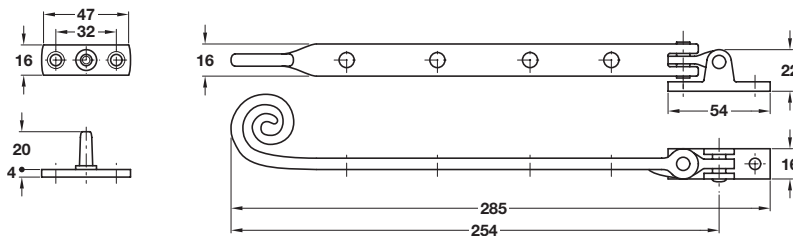


Kirkpatrick Casement stay

- Two pins included
- Matching fastener shown above
- Powder coated malleable iron

| Size | Black | Pewter |
|--------|------------|------------|
| 203 mm | 970.02.783 | - |
| 254 mm | 970.02.693 | 970.02.699 |
| 304 mm | 970.02.793 | - |

Order qty: 1 pc



Kirkpatrick Locking pin

- To suit casement stay shown above
- Key included
- Powder coated malleable iron

| Finish | Black | Pewter |
|----------|------------|------------|
| Cat. No. | 970.02.643 | 970.02.649 |

Order qty: 1 pc

