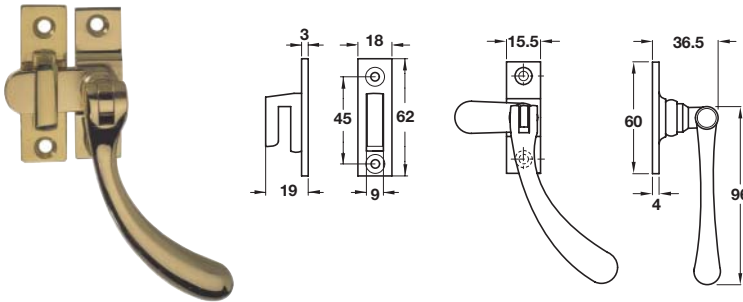


Casement fastener, mortice plate

- Reversible
- Mortice plate included
- Designed for use with standard rebated frames
- Matching casement stays are shown below
- Brass

Finish	Cat. No.
Satin nickel	970.02.416
Polished chrome	970.02.412
Polished brass	970.02.418

Order qty: 1 pc

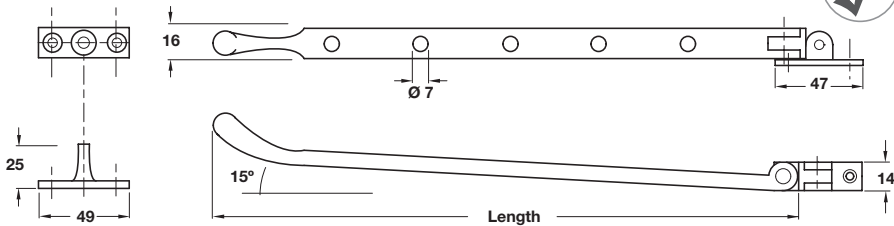


Casement fastener, hook plate

- Reversible
- Hook plate included
- Designed for use with flush frames or double windows
- Matching casement stays are shown below
- Brass

Finish	Cat. No.
Satin nickel	970.02.406
Polished chrome	970.02.402
Polished brass	900.17.954

Order qty: 1 pc

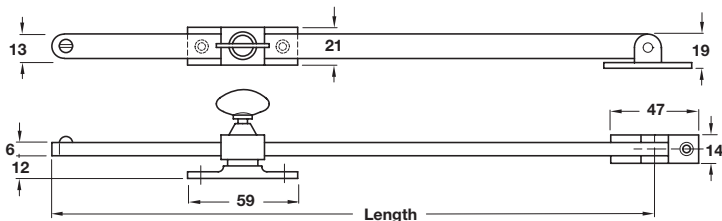
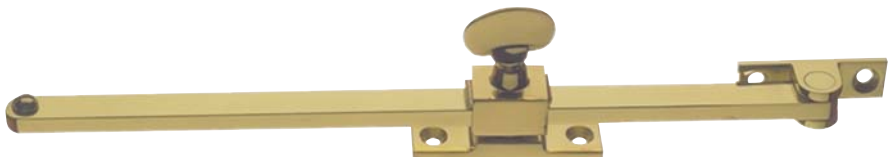


Casement stay

- Two standard pins included
- Matching fasteners are shown above
- Brass

Length	254 mm	305 mm
Satin nickel	970.02.516	970.02.526
Polished chrome	970.02.512	970.02.522
Polished brass	900.17.962	900.17.963

Order qty: 1 pc



Sliding casement stay

- Suitable for open out windows only
- Flat turn key included
- Brass

Length	254 mm	305 mm
Satin nickel	970.02.536	970.02.546
Polished chrome	970.02.532	970.02.542
Polished brass	900.17.960	900.17.961

Order qty: 1 pc