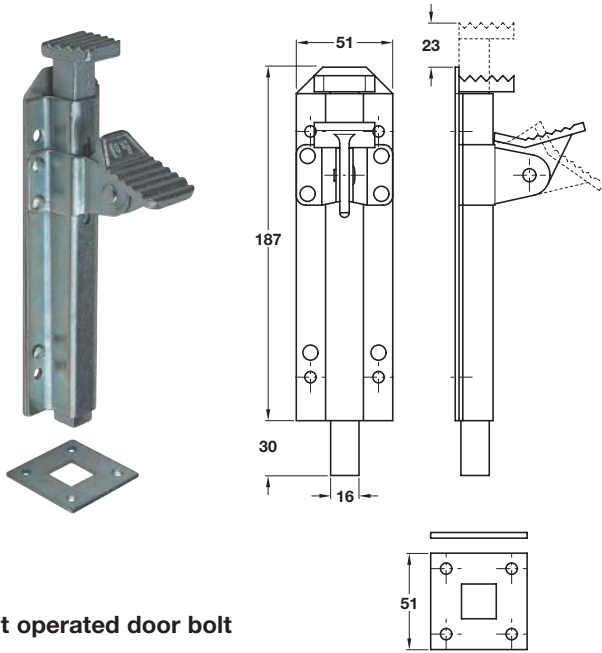


5

Architectural Ironmongery: Door Accessories



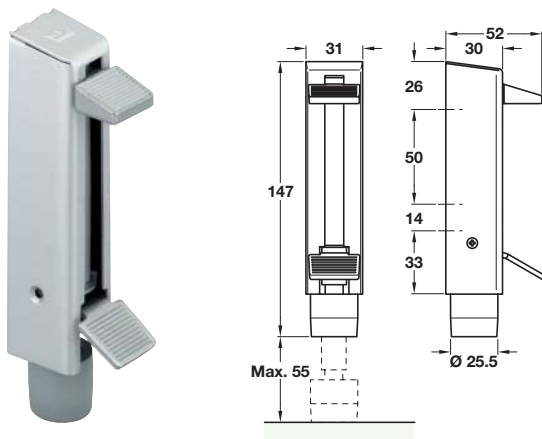
Foot operated door bolt

- To operate, depress upper lever
- To release, depress lower lever
- Max. throw 30 mm
- Flat plate included
- Fixings are not included
- Mild steel



Finish	Cat. No.
Galvanized	938.15.009

Order qty: 1 pc



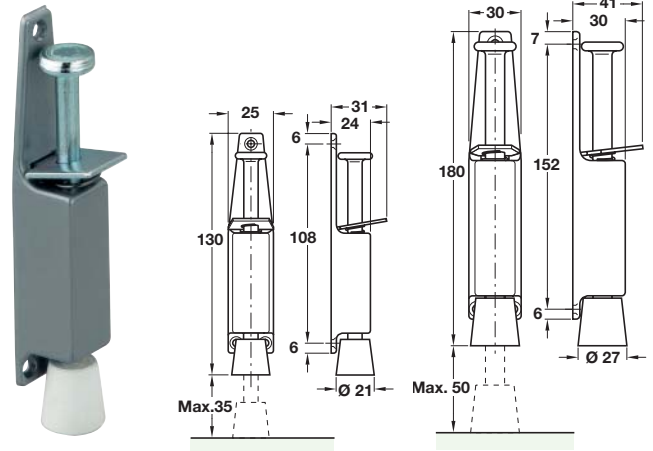
Foot operated door holder

- To operate, depress upper lever
- To release, depress lower lever
- Max. throw 55 mm
- Rubber foot
- Mild steel



Finish	Cat. No.
Silver	938.00.101

Order qty: 1 pc



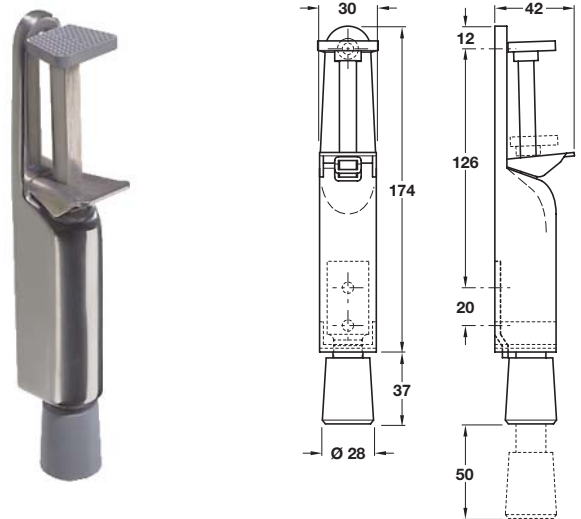
StarTec Door holder

- For holding the door at any opening angle
- Max. door weight **25 kg or 40 kg**
- Travel: 35 mm
- Silver colour lacquered zinc alloy case white rubber stopper, galvanized steel bolt



Max. door weight	25 kg	40 kg
Cat. No.	938.04.001	938.04.101

Order qty: 1 pc



Foot operated door holder

- To operate, depress upper lever
- To release, depress lower lever
- Max. door weight **40 kg**
- Max. throw 50 mm
- Rubber foot
- Mild steel



Finish	Cat. No.
Silver	938.02.001

Order qty: 1 pc

TCH 2013, © Häfele U.K. Ltd 2013. Dimensional data not binding. We reserve the right to alter specifications without notice.