

The StarTec range is exclusive to Häfele UK Ltd, and offers a unique and patented Euro-fix system for mounting lever handles

- Euro-fix is a versatile lever mounting system with integrated sprung cartridge - used throughout the range
- Tested to 100,000 cycles
- 10 year guarantee

Some of the benefits of the patented EURO-FIX lever mounting system:

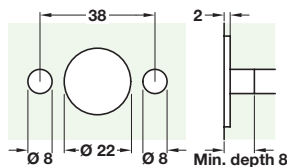
- Integrated springing within cartridge for easier fixing method
- Roses need not slide over lever, avoids damage during installation

- Can be a modular system - most lever styles fit over roses or plates
- Project advantage - used with construction lever, levers can be fitted at hand over stage for best effect and no damage



For all StarTec lever handles:

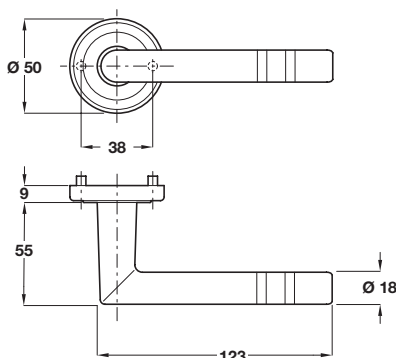
Drill two holes $\varnothing 8$ mm at 38 mm centres, to a minimum depth of 8 mm, and one $\varnothing 22$ mm hole to a depth of 2 mm



Escutcheons and WC sets to suit these StarTec lever handles are shown on page 32

PVD Zirconium - Brass Collection

- The PVD 'Physical Vapour Deposition' Zirconium process achieves a durable, corrosion resistant finish. This state of the art process deposits molecules of hard wearing materials onto the lever surface, protecting the finish from discolouration even when exposed to coastal areas, strong sunlight and pollution.

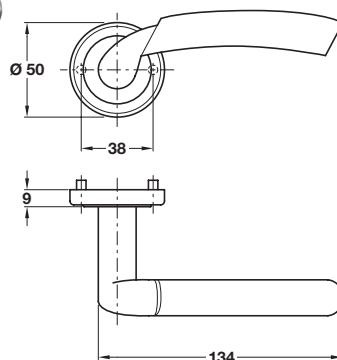


StarTec IONA straight lever handles

- Pair of lever handles and 'euro-fix' roses
- Grub screw fixing on 8 mm spindle
- Sprung, for use with standard duty followers
- To suit doors **35-44 mm** thick
- Brass

Finish	Cat. No.
PVD satin/polished brass	900.29.025
PVD satin/polished nickel	900.29.026

Order qty: 1 pair

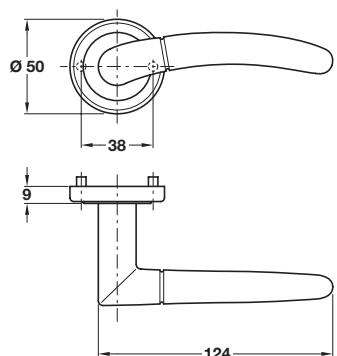


StarTec ESPRIT shaped lever handles

- Pair of lever handles and 'euro-fix' roses
- Grub screw fixing on 8 mm spindle
- Sprung, for use with standard duty followers
- To suit doors **35-44 mm** thick
- Brass

Finish	Cat. No.
PVD satin/polished brass	900.29.615
PVD satin/polished nickel	900.29.616

Order qty: 1 pair



StarTec SELINA shaped lever handles

- Pair of lever handles and 'euro-fix' roses
- Grub screw fixing on 8 mm spindle
- Sprung, for use with standard duty followers
- To suit doors **35-44 mm** thick
- Brass

Finish	Cat. No.
PVD satin/polished brass	900.29.035
PVD satin/polished nickel	900.29.036

Order qty: 1 pair

TCH 2013. © Häfele U.K. Ltd 2013. Dimensional data not binding. We reserve the right to alter specifications without notice.