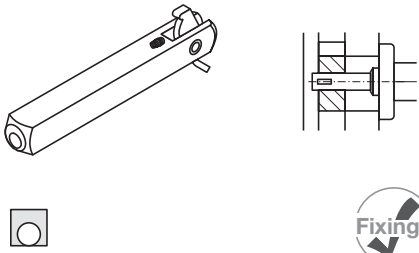


5

Architectural Ironmongery: Door Furniture

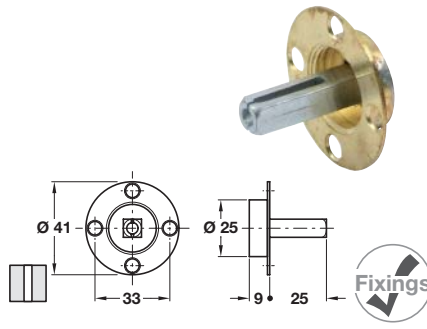


Half spindle

- For one-sided installation on doors
- 8 mm square
- Zinc plated high grade alloy steel

Length	To suit doors	Cat. No.
60 mm	40-50 mm thick	909.46.106
71 mm	50-65 mm thick	909.46.107

Order qty: 1 pc



Fixed dead mount with spindle

- For use with half sets of levers or knobs to fix dead
- 8 mm square slotted spindle
- Self colour brass/zinc plated high-grade alloy steel

Length	Cat. No.
25 mm	909.00.960

Order qty: 1 pc



M4 Bolt and sleeve

- For handle roses and escutcheons
- Nickel-plated steel screw and sleeve

Length	To suit door	Cat. No.
45 mm	41-45 mm thick	909.97.341
50 mm	46-50 mm thick	909.97.346

Order qty: 1 pc

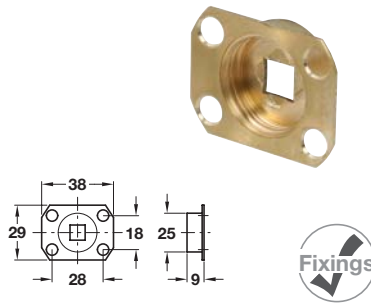


Split spindle

- For use with split follower locks
- 8 mm square
- Zinc plated high grade alloy steel

Length	To suit doors	Cat. No.
120 mm	Max. 54 mm thick	909.83.711

Order qty: 1 pc

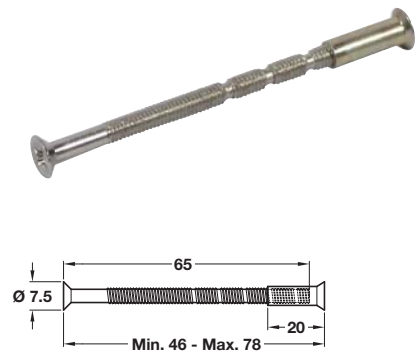


Fixed dead mount

- For use with pairs of levers or knobs to fix dead
- For use with 8 mm square spindle
- Self colour brass

	Cat. No.
Fixed dead mount	909.00.961

Order qty: 1 pc

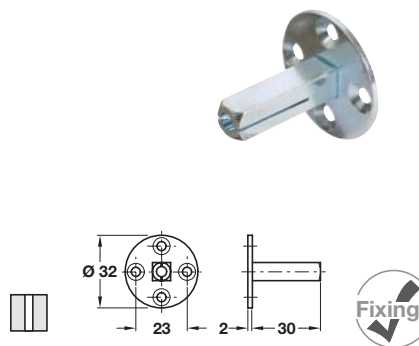


M4 Bolt and sleeve

- For handle roses and escutcheons
- Nickel plated steel screw with sleeve

Length	To suit door	Cat. No.
78 mm	35-60 mm thick	909.46.126

Order qty: 1 pair



Taylors spindle

- For use with lever/knob handle to fix dead
- 8 mm square slotted spindle
- Bright zinc plated high-grade alloy steel

Length	Cat. No.
30 mm	909.00.959

Order qty: 1 pc



StarTec Fxed spindle, for rose set

- Compatible with StarTec lever handles on round roses
- One-sided installation on blind door
- 8 mm on plate
- Zinc plated steel

	Cat. No.
Fixed spindle	909.46.060

Order qty: 1 pc



Bolt through fixing screw

- Ø 4.2 mm
- 2 required per rose
- Zinc plated steel

Length	To suit door	Cat. No.
50 mm	42-46 mm thick	909.90.746
60 mm	52-56 mm thick	909.90.748
70 mm	62-66 mm thick	909.90.752

Order qty: 1 pc

TCH 2013, © Häfele U.K. Ltd 2013. Dimensional data not binding. We reserve the right to alter specifications without notice.